

ELECTRONIC - CONSTANT VOLTAGE 5 IN 1 DIMMABLE DRIVER

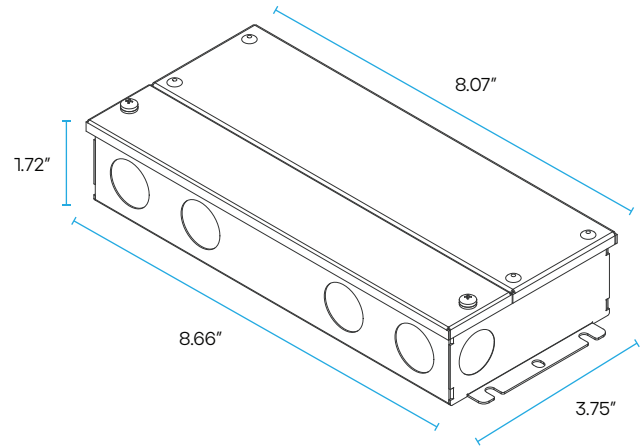
TRIAC/PHASE, 0-10V, 1-10V, POTENTIOMETER, 10V PWM

LR36164

LED/EDRV/96W/24V/UNV/D5/JB



96W DRIVER



OUTPUT	RATED POWER	96W
	DC VOLTAGE	24V
	RATED CURRENT	12.5A
	VOLTAGE TOLERANCE	±0.5V
	VOLTAGE REGULATION	±0.5%
	LOAD REGULATION	±1%
INPUT	VOLTAGE RANGE	100-277VAC
	FREQUENCY RANGE	47-63Hz
	POWER FACTOR (TYP.) @ FULL LOAD	0.95 @ 120VAC - 0.95 @ 277VAC
	THD (TYP.) @ FULL LOAD	<20%
	EFFICIENCY (TYP.) @ FULL LOAD	83% @120VAC 86%@277VAC
	AC CURRENT (MAX)	1.3A
	INRUSH CURRENT (TYP.)	20A, 1.6ms@50% 120VAC 25A, 1.2ms@50% 277VAC
	LEAKAGE CURRENT	<0.5mA
PROTECTION	SHORT CIRCUIT	Shut down o/p voltage, re-power on to recover after fault condition removed
	OVER LOADING	≤120% Hiccup mode, recovers automatically after fault condition is removed
	OVER TEMPERATURE	212° F (100°C) ±50°F (10°C) shut down o/p voltage, automatically recover after cooling
ENVIRONMENT	WORKING TEMP	-40~+140°F (-40~60°C)
	WORKING HUMIDITY	20~90%RH, non-condensing
	STORAGE TEMP. HUMIDITY	-40~+176°F (-40~80°C)
	TEMP. COEFFICIENT	±0.03% /°C (0~50°C)
	VIBRATION	10-500Hz
SAFETY & EMC	SAFETY STANDARDS	UL8750
	WITHSTAND VOLTAGE	1.88KVAC
	ISOLATION RESISTANCE	100M/500VDC/25°C/70%RH
	EMC EMISSION	FCC 47 CFR Part 15, Subpart B
CASE	NET WEIGHT	3.02lb (1.37 KG)
	SIZE	8.66" X 3.75" X 1.72" (L*W*H)
	CARTON SIZE	10 PCS/CTN