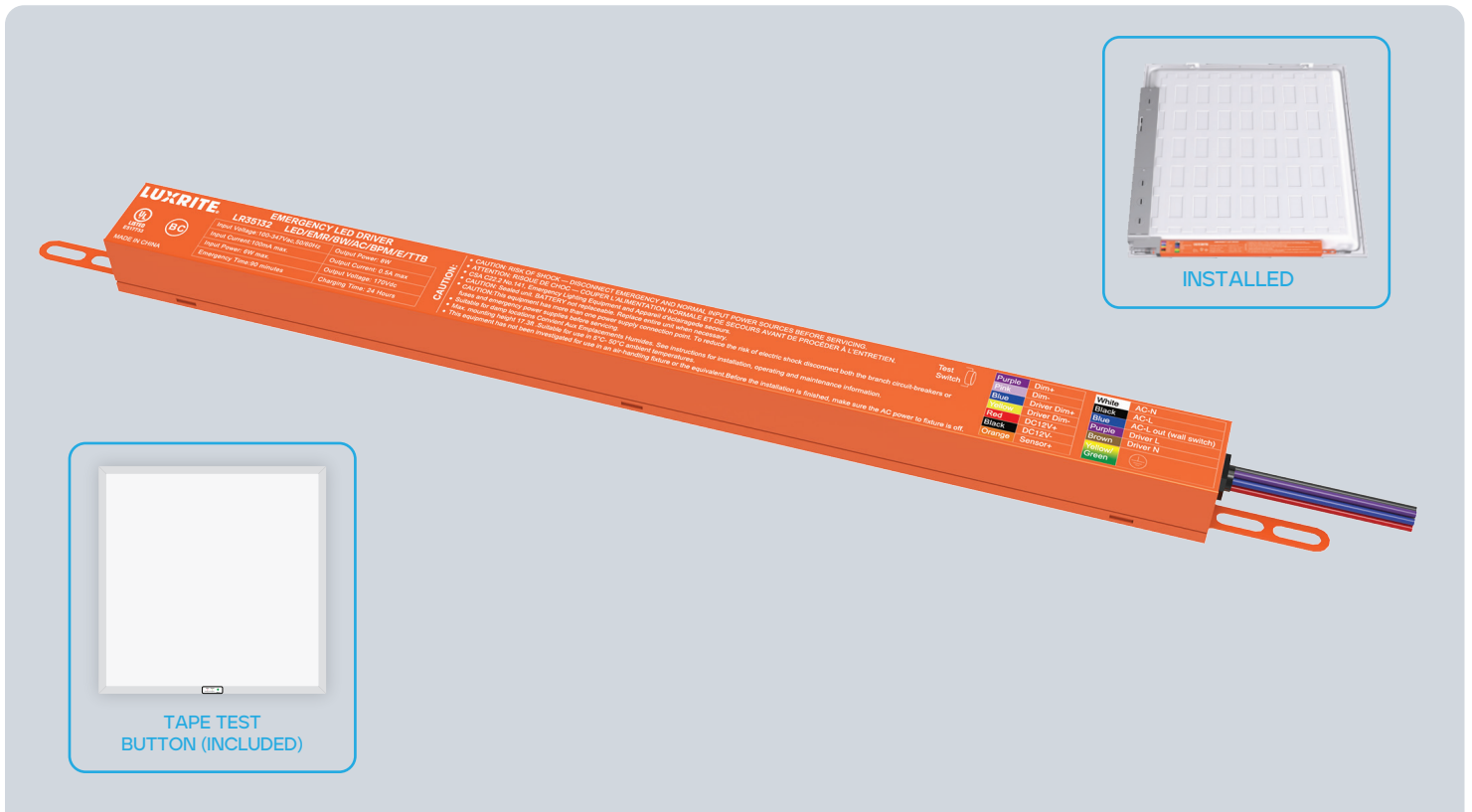


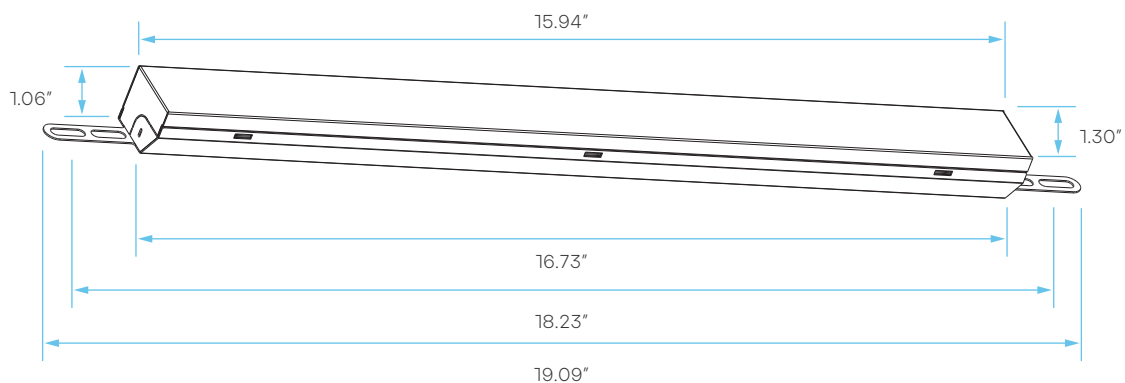
EMERGENCY LED DRIVER LR35132 - LED/EMR/8W/AC/BPM/E/TTB 8W

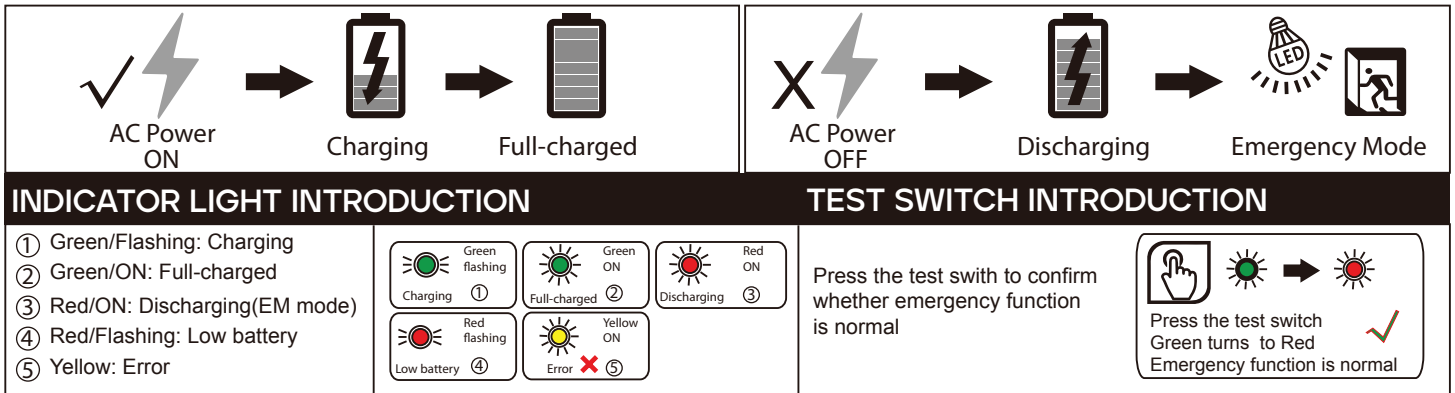


SPECIFICATIONS

MODEL	DESCRIPTION	EM POWER	INPUT VOLTS	FREQUENCY	INPUT CURRENT	INPUT POWER	OUTPUT VOLTAGE	RECHARGE TIME	EMERGENCY TIME
LR35132	LED/EMR/8W/AC/BPM/E/TTB	8	100-347V	50/60Hz	100mA	6W max	170V DC	24Hr	90min

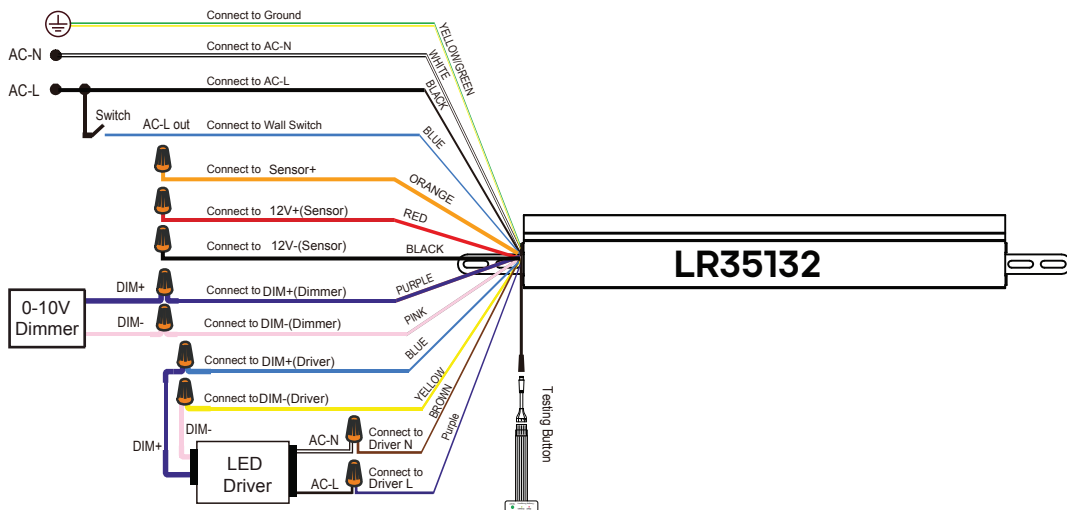
DIMENSIONS





WIRING DIAGRAM

1. For luminaire with 0-10V LED driver and using 0-10V dimmer (* LED DRIVER INPUT POWER NOT GREATER THAN 60W) . Emergency Inverter Dim+ (Blue) , Driver Dim- (Yellow) has to connect with LED driver DIM+ and DIM-.



2. For luminaire with 0-10V LED driver, without using 0-10V dimmer (* LED DRIVER INPUT POWER NOT GREATER THAN 60W). Emergency Inverter Dim+ (Blue) , Driver Dim- (Yellow) has to connect with LED driver DIM+ and DIM-.

