

## LED SPOTLIGHT-CANLESS MULTIPLE - MULTILIGHT 1, 2, & 3 HEAD



1 HEAD 12W



2 HEAD 24W



3 HEAD 36W



5 CCT SWITCH  
THE BACK



360° ROTATION

15° TILT

CRI  
80

COLOR SELECTABLE

2700K 3000K 3500K 4000K 5000K

DIMMABLE

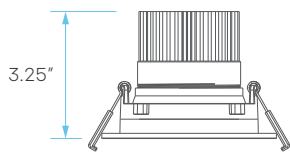
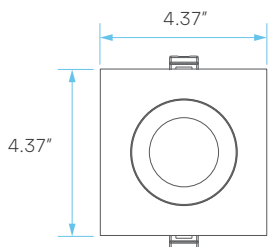
TRIAC

AIR  
TIGHT

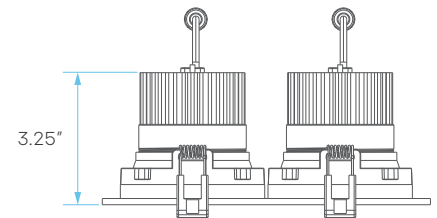
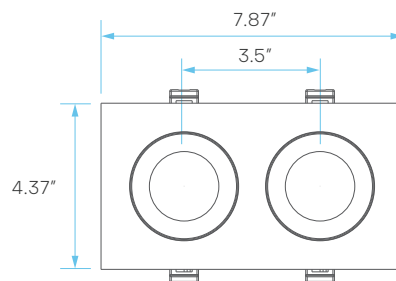
IC  
RATED

WET  
LOCATION  
RATED

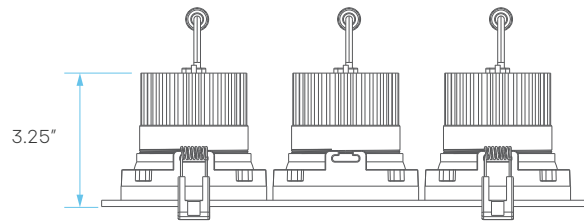
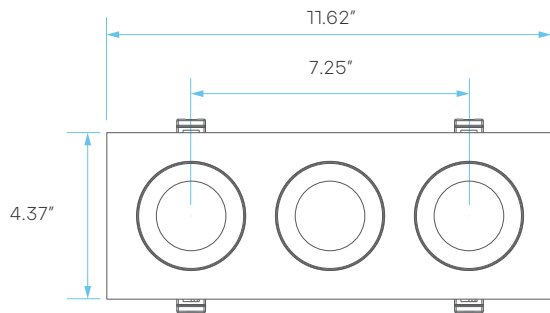
3  
YEAR  
WARRANTY



1 HEAD CUTOUT: Ø 3.75"



2 HEAD CUTOUT: 7.25" X 3.75"



3 HEAD CUTOUT: 10.82" X 3.75"

## ELECTRICAL

	MODEL	DESCRIPTION	POWER	INPUT VOLTS	EFFICACY	LIFETIME	COST/YR
1 HEAD	LR32180	LEDMHDL1/5CCT/9/G	12	120V	67	50,000	\$ 1.45
2 HEAD	LR32183	LEDMHDL3/5CCT/9/G	24	120V	58	50,000	\$ 2.89
3 HEAD	LR32185	LEDMHDL4/5CCT/9/G	36	120V	58	50,000	\$ 4.34

## PHOTOMETRIC

MODEL	DESCRIPTION	COLOR (CCT)	TEMP	LUMEN	CRI	FLOOD	ETL	ENERGY STAR	PLATE (KNOCKOUT)
LR32180	LEDMHDL1/5CCT/9/G	2700K/3000K/3500K/4000K/5000K	CCT SELECT	800	80	40°	YES	YES	LR41004 (#2)
LR32183	LEDMHDL3/5CCT/9/G	2700K/3000K/3500K/4000K/5000K	CCT SELECT	1400	80	40°	YES	YES	LR41007 (#0)
LR32185	LEDMHDL4/5CCT/9/G	2700K/3000K/3500K/4000K/5000K	CCT SELECT	2100	80	40°	YES	YES	LR41007 (#1)

COMPATIBLE WITH:



**LR41004**  
New Construction Mounting Plate

**KNOCKOUTS**

**KNOCKOUT SIZE**

- #0 Ø2.125" (Ø54 mm)
- #1 Ø2.83" (Ø72 mm)
- #2 Ø3.75" (Ø95 mm)
- #3 Ø5.19" (Ø132 mm)

**LR41007**  
New Construction Mounting Plate

**KNOCKOUTS**

**KNOCKOUT SIZE**

- #0 7.36"x3.74" (187x95mm)
- #1 10.82"x3.74" (275x95 mm)