

LED SPOTLIGHT-CANLESS MULTIPLE - MULTILIGHT 1, 2, & 3 HEAD



1 HEAD 12W



2 HEAD 24W



3 HEAD 36W



5 CCT SWITCH
THE BACK



360° ROTATION

15° TILT

CRI
80

COLOR SELECTABLE

2700K 3000K 3500K 4000K 5000K

DIMMABLE

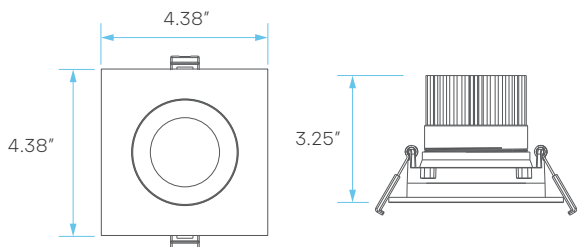
TRIAC

AIR
TIGHT

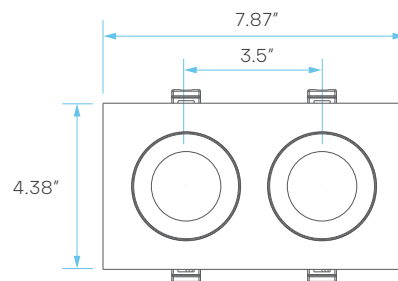
IC
RATED

WET
LOCATION
RATED

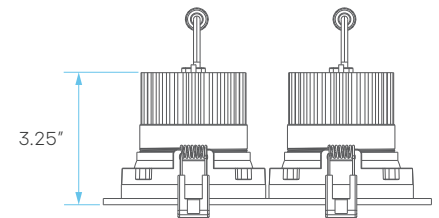
3
YEAR
WARRANTY

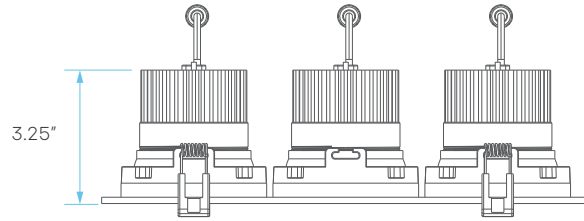
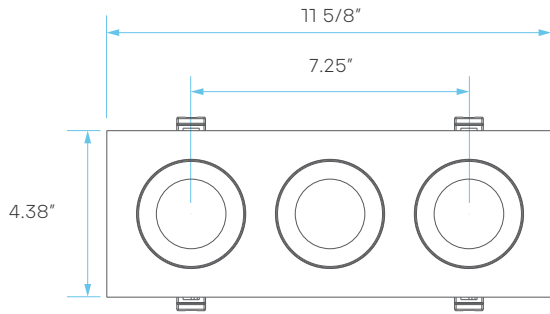


1 HEAD CUTOUT: Ø 3.75"



2 HEAD CUTOUT: 7.25" X 3.75"





3 HEAD CUTOUT: 10.82" X 3.75"

ELECTRICAL

	MODEL	DESCRIPTION	POWER	INPUT VOLTS	EFFICACY	LIFETIME	COST/YR
1 HEAD	LR32181	LEDMHDL1/5CCT/9/G/BK	12	120V	67	50,000	\$ 1.45
2 HEAD	LR32184	LEDMHDL3/5CCT/9/G/BK	24	120V	58	50,000	\$ 2.89
3 HEAD	LR32186	LEDMHDL4/5CCT/9/G/BK	36	120V	58	50,000	\$ 4.34

PHOTOMETRIC

MODEL	DESCRIPTION	COLOR (CCT)	TEMP	LUMEN	CRI	FLOOD	ETL	PLATE (KNOCKOUT)
LR32181	LEDMHDL1/5CCT/9/G/BK	2700K/3000K/3500K/4000K/5000K	CCT SELECT	800	80	40°	YES	LR41004 (#2)
LR32184	LEDMHDL3/5CCT/9/G/BK	2700K/3000K/3500K/4000K/5000K	CCT SELECT	1300	80	40°	YES	LR41007 (#0)
LR32186	LEDMHDL4/5CCT/9/G/BK	2700K/3000K/3500K/4000K/5000K	CCT SELECT	2100	80	40°	YES	LR41007 (#1)

COMPATIBLE WITH:



LR41004
New Construction Mounting Plate

KNOCKOUTS

KNOCKOUT SIZE	
#0	Ø2.125" (Ø54 mm)
#1	Ø2.83" (Ø72 mm)
#2	Ø3.75" (Ø95 mm)
#3	Ø5.19" (Ø132 mm)

LR41007
New Construction Mounting Plate

KNOCKOUTS

KNOCKOUT SIZE	
#0	7.36"x3.74" (187x95mm)
#1	10.82"x3.74" (275x95 mm)