

MULTI-HEAD RECESSED GIMBAL 5 CCT SELECTABLE - WHITE FINISH LR32180, LR32183, LR32185

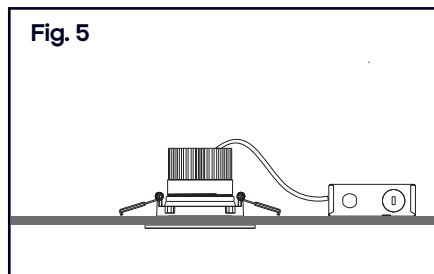
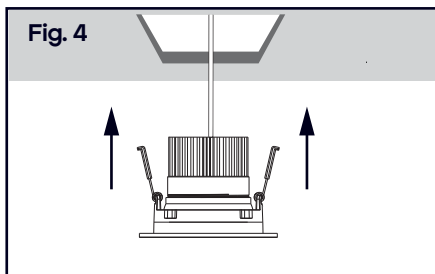
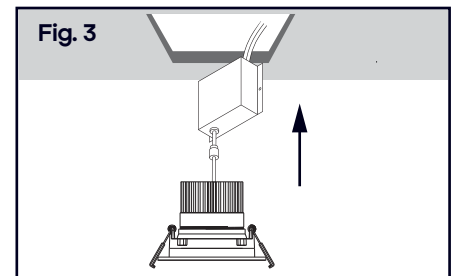
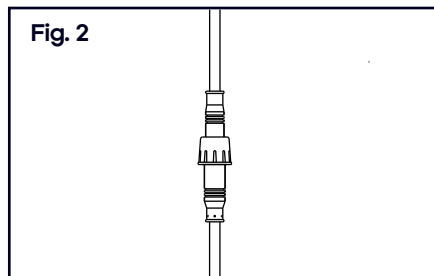
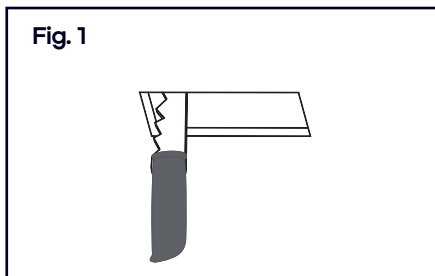
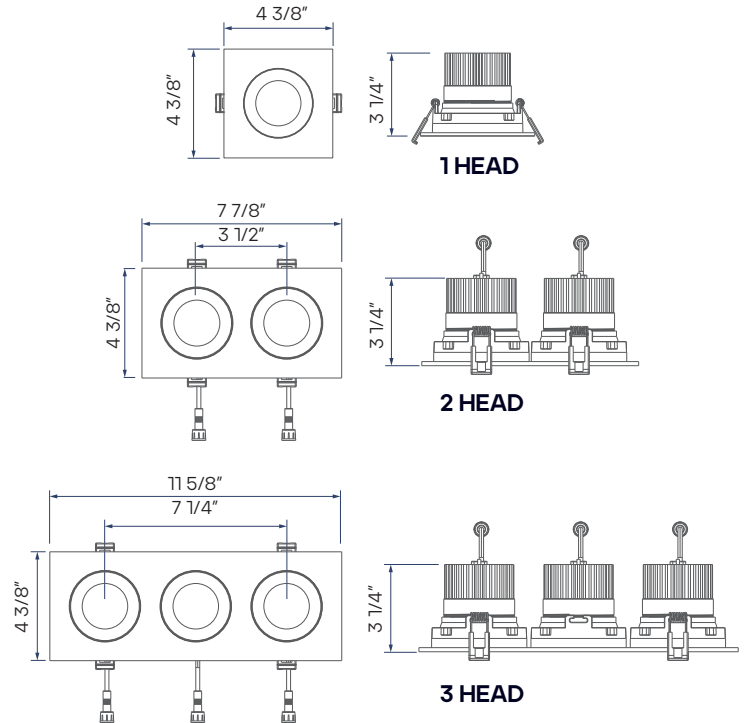
⚠ WARNING

TURN THE POWER OFF FROM ELECTRICAL PANEL BEFORE INSTALLATION OR MAINTENANCE.

- DO NOT MODIFY THIS FIXTURE. ANY MODIFICATIONS MAY RENDER THE PRODUCT UNSAFE AND VOID WARRANTY.
- THIS PRODUCT IS SUITABLE FOR WET LOCATIONS

FIXTURE INSTALLATION

- STEP 1. Measure distance from walls and mark position of fixture to be installed on the ceiling.
- STEP 2. Carefully scribe hole template in accordance to cut hole size on desired location.
- STEP 3. Carefully cut hole in ceiling. **(Fig. 1)**
- STEP 4. Electrical connections.
- STEP 5. Select Color Temperature
- STEP 6. Connect hardwire box to engine by connecting the quick male and female connector. **(Fig. 2)**
- STEP 7. Pass the hardwire box and attached bx cable through the hole and place on straight surface inside the ceiling cavity. **(Fig. 3)**
- STEP 8. Push the spring clip up towards the LED engine. **(Fig. 4)**
- STEP 9. Push the fixture through the hole until the trim is flush with the ceiling. Spring clip will retract to hold trim in place.



1 HEAD		Cutout: 3.75" (95 mm)
2 HEAD		Cutout: 7.25" x 3.75" (185 mm x 95 mm)
3 HEAD		Cutout: 10.82" x 3.75" (275 mm x 95 mm)