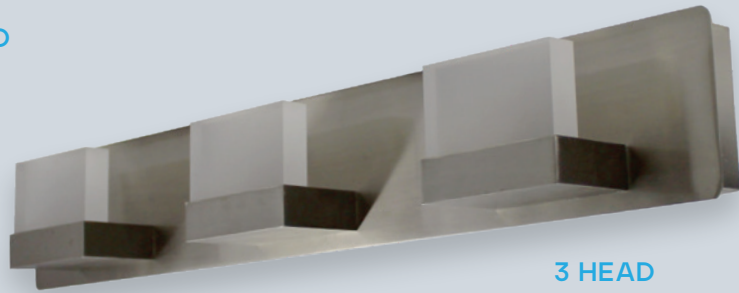


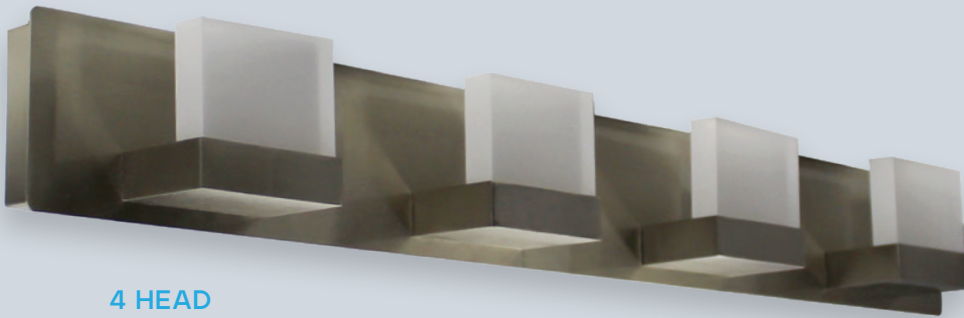
LED SURFACE MOUNT MULTI-HEAD VANITY 1, 3 & 4 HEAD



1 HEAD



3 HEAD



4 HEAD

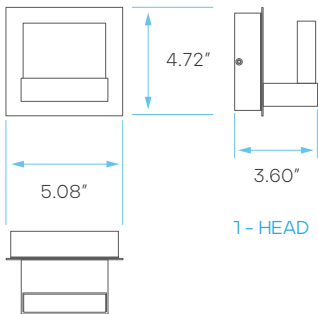


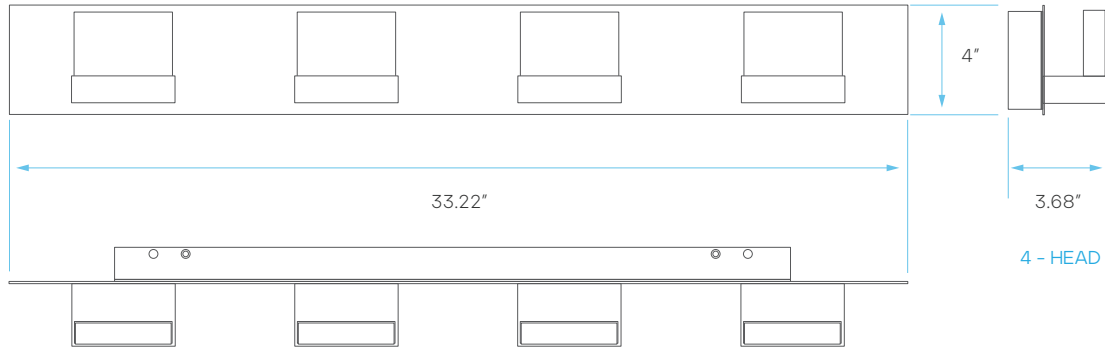
3 CCT SWITCH
ON THE BACK



COLOR SELECTABLE

3000K 4000K 5000K





ELECTRICAL

ROUND	MODEL	DESCRIPTION	POWER	INPUT VOLTS	EFFICACY	LIFETIME	COST/YR
	LR32160	LEDMHVN1/3CCT/U/SN	10	120-277V	80	50,000	\$ 1.20
	LR32162	LEDMHVN3/3CCT/U/SN	30	120-277V	80	50,000	\$ 3.61
	LR32164	LEDMHVN4/3CCT/U/SN	40	120-277V	90	50,000	\$ 4.82

PHOTOMETRIC

MODEL	DESCRIPTION	COLOR (CCT)	TEMP	LUMEN	FLOOD	CRI	ETL	ENERGY STAR
LR32160	LEDMHVN1/3CCT/U/SN	3000K/4000K/5000K	CCT SELECT	800	120°	80	YES	YES
LR32162	LEDMHVN3/3CCT/U/SN	3000K/4000K/5000K	CCT SELECT	2400	120°	80	YES	YES
LR32164	LEDMHVN4/3CCT/U/SN	3000K/4000K/5000K	CCT SELECT	3600	120°	80	YES	YES