

LED VANITY WALL SCONCE SQUARE - CCT SELECTABLE LR32132, LR32133, LR32134

PLEASE READ CAREFULLY BEFORE INSTALLING

SAFETY PRECAUTIONS

READ ALL SAFETY PRECAUTIONS AND INSTALLATION INSTRUCTIONS CAREFULLY BEFORE INSTALLING OR SERVICING THIS FIXTURE. FAILURE TO COMPLY WITH THESE INSTRUCTIONS COULD RESULT IN POTENTIALLY FATAL ELECTRIC SHOCK AND/OR PROPERTY DAMAGE. IT IS RECOMMENDED THAT A QUALIFIED ELECTRICIAN PERFORM ALL WIRING. THIS FIXTURE MUST BE WIRED IN ACCORDANCE WITH ALL NATIONAL AND LOCAL ELECTRICAL CODES. DO NOT HANDLE ANY POWERED FIXTURE OR ATTEMPT TO POWER ANY FIXTURE WITH WET HANDS OR WHILE STANDING ON A WET OR DAMP SURFACE OR IN WATER. MAKE SURE THAT THE POWER SOURCE CONFORMS TO THE REQUIREMENTS OF THE FIXTURE (SEE LABELS ON FIXTURE HOUSING). PRODUCTS ARE DESIGNED FOR USE IN A 120V AC (TRIAC DIMMABLE) FUSED CIRCUIT.

TO REDUCE THE RISK OF ELECTRICAL SHOCK, AND TO ASSURE PROPER OPERATION, THIS FIXTURE MUST BE ADEQUATELY GROUNDED. TO ACCOMPLISH PROPER GROUNDING, THERE MUST BE A SEPARATE GROUND WIRE (GREEN OR BARE) CONTACT BETWEEN THIS FIXTURE AND THE GROUND CONNECTION OF YOUR MAIN POWER SUPPLY PANEL.

THIS FIXTURE IS INTENDED TO BE USED FOR GENERAL INDOOR LIGHTING IN DRY OR DAMP LOCATIONS ONLY. OPERATING TEMPERATURE: -4° ~ 104°F (-25° ~ 45°C)

INSTALLATION

1. PREPARING FOR INSTALLATION

a. Disconnect electrical power at fuse or circuit breaker box before installing or servicing any part of this fixture.

b. Carefully remove the fixture from the carton, and make sure that all parts are included.

2. MOUNTING & WIRING (All wiring must take place inside junction box)

CAUTION: Make sure power is off at fuse or circuit breaker box. Check power wires for damage or scrapes. If power supply wires are within three inches of the ballast power supply, use wire suitable for at least 90°C (194°F) **NOTE:** Most dwellings built before 1985 have supply wire rated to 60°C. Consult a qualified electrician before installing.

a. Position the back plate mounting channel (1) against the wall, covering the junction box (not included) and secure with the two screws included. Mark placement of mounting keyhole slots (2).

b. Drill appropriate sized holes or install wall anchors to accept mounting screws (not included)

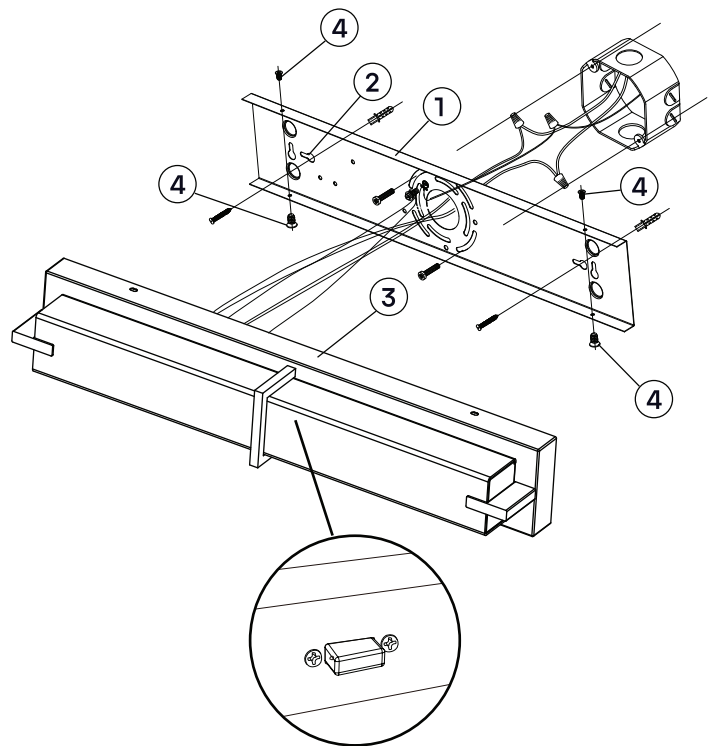
c. Connect the power source ground wire to the green or bare copper wire from the fixture assembly.

d. Using wire nuts (provided), connect white supply wire to white ballast lead. Connect black supply wire to black ballast lead. **DO NOT MIX WIRES.** Pull on each wire lead to make sure connections are secure. Make sure no bare wires are exposed outside of wire connectors.

e. Tuck all connections neatly into junction box (not included)

f. Fasten channel securely to the wall.

g. Install the fixture housing (3) to the plate mounting channel by sliding the slots in the housing over the screws (4) in the channel and tightening the screws.



CCT SELECTABLE SWITCH