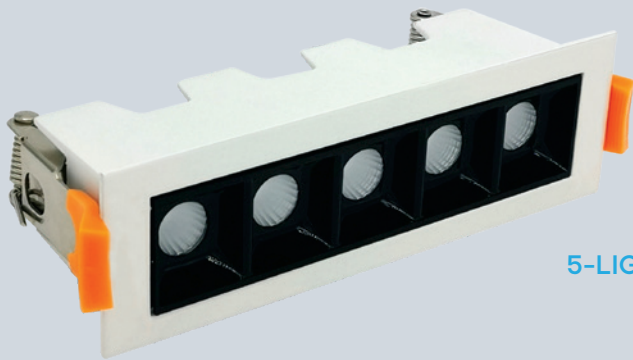
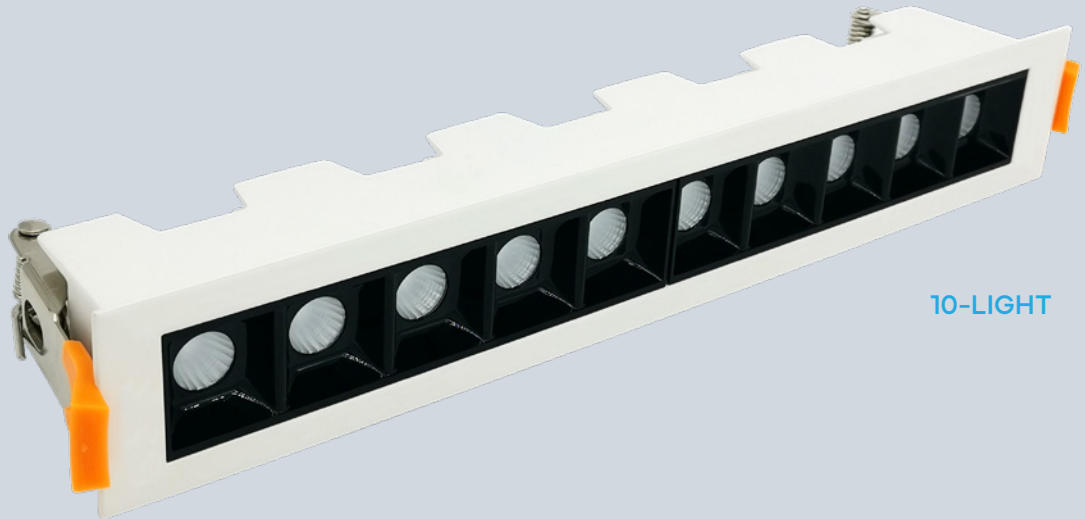


## LED SPOTLIGHT CANLESS ARCHITECTURAL MULTILIGHT 5 & 10 LIGHT



5-LIGHT



10-LIGHT

**CRI 90**

**COLOR SELECTABLE**

2700K 3000K 3500K 4000K 5000K

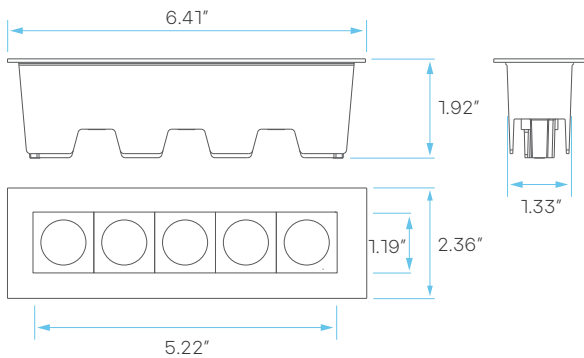
**DIMMABLE**

**AIR TIGHT**

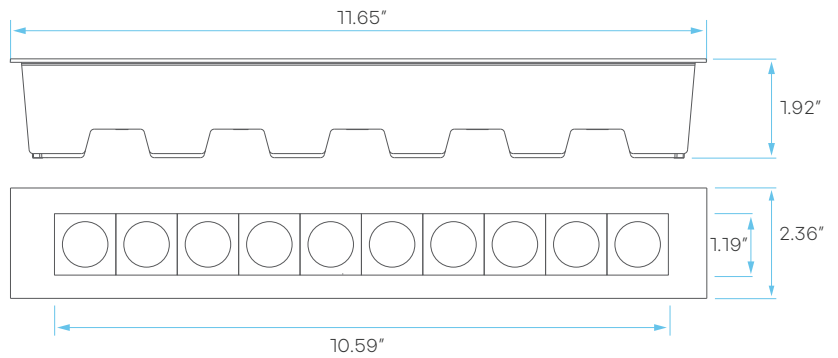
**IC RATED**

**DAMP LOCATION RATED**

**3 YEAR WARRANTY**



5 - LIGHT  
CUTOUT: 5.47" x 1.41"



10 - LIGHT  
CUTOUT: 10.70" x 1.41"

## ELECTRICAL

	MODEL	DESCRIPTION	POWER	INPUT VOLTS	EFFICACY	LIFETIME	COST/YR
5 - LIGHT	LR32094	LEDML5/10W/5CCT/B/D	11	120V	60	50,000	\$ 1.20
10 - LIGHT	LR32099	LEDML10/18W/5CCT/B/D	18	120V	65	50,000	\$ 2.17

## PHOTOMETRIC

MODEL	DESCRIPTION	COLOR (CCT)	TEMP	LUMEN	FLOOD	CRI	ETL
LR32094	LEDML5/10W/5CCT/B/D	2700K/3000K/3500K/4000K/5000K	CCT SELECT	600	45°	90	YES
LR32099	LEDML10/18W/5CCT/B/D	2700K/3000K/3500K/4000K/5000K	CCT SELECT	1200	45°	90	YES

COMPATIBLE WITH:

**LR35126**  
Emergency LED Driver



**LR41008**  
Mounting Plate



**LR41009**  
Mounting Plate

