

## LED FLOOD LAMP PAR SERIES - DUSK TO DAWN PAR 38



PAR 38  
15W

90W WATT REPLACEMENT

CRI  
80

DIMMABLE

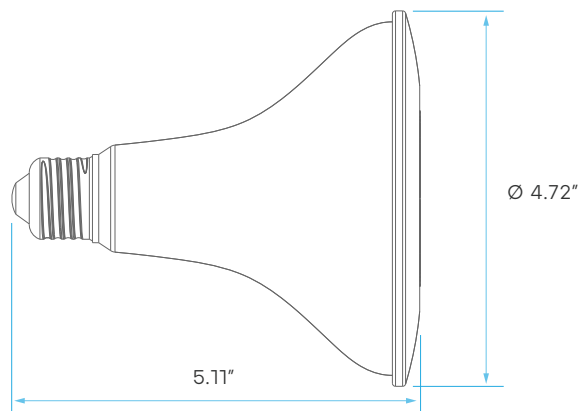
TRIAC

DUSK  
TO  
DAWN  
SENSOR

WET  
LOCATION  
RATED

3  
YEAR  
WARRANTY

PAR 38



## ELECTRICAL

|        | MODEL   | DESCRIPTION             | POWER | INPUT VOLTS | EFFICACY | LIFETIME | WATT REPLACEMENT | COST/YR |
|--------|---------|-------------------------|-------|-------------|----------|----------|------------------|---------|
| PAR 38 | LR31631 | LED15PAR38/FL40/30K/D2D | 15    | 120V        | 83       | 25,000   | 90               | \$ 1.81 |
|        | LR31634 | LED15PAR38/FL40/50K/D2D | 15    | 120V        | 83       | 25,000   | 90               | \$ 1.81 |

## PHOTOMETRIC

| MODEL   | DESCRIPTION             | COLOR (CCT) | TEMP         | LUMEN | FLOOD | CRI | UL LISTED | DUSK TO DAWN SENSOR |
|---------|-------------------------|-------------|--------------|-------|-------|-----|-----------|---------------------|
| LR31631 | LED15PAR38/FL40/30K/D2D | 3000K       | SOFT WHITE   | 1250  | 40°   | 80  | YES       | YES                 |
| LR31634 | LED15PAR38/FL40/50K/D2D | 5000K       | BRIGHT WHITE | 1250  | 40°   | 80  | YES       | YES                 |