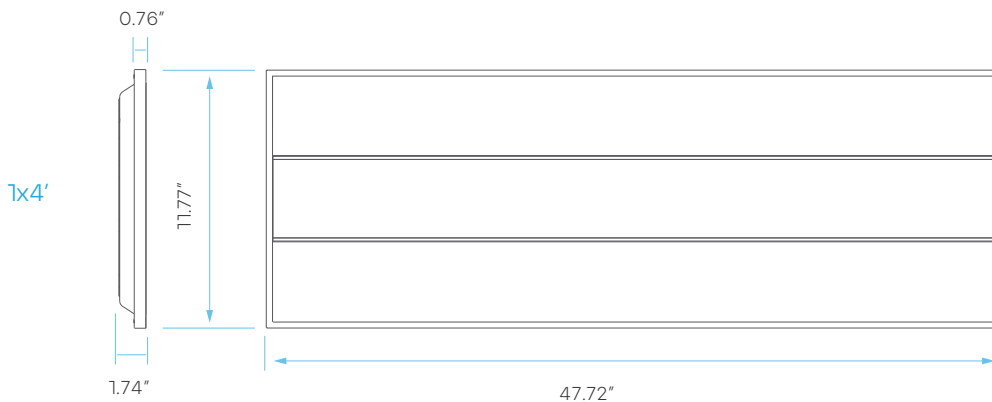
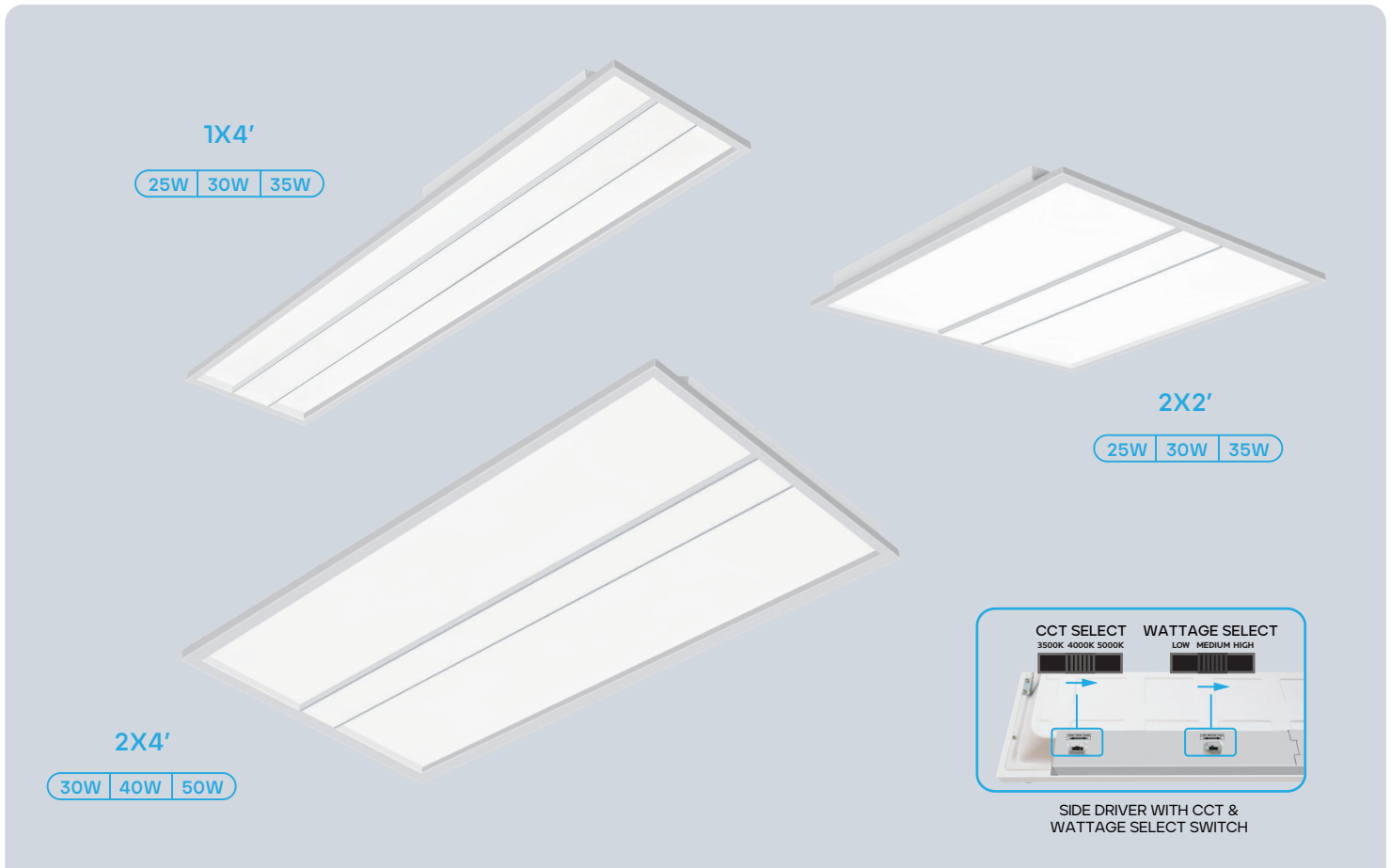
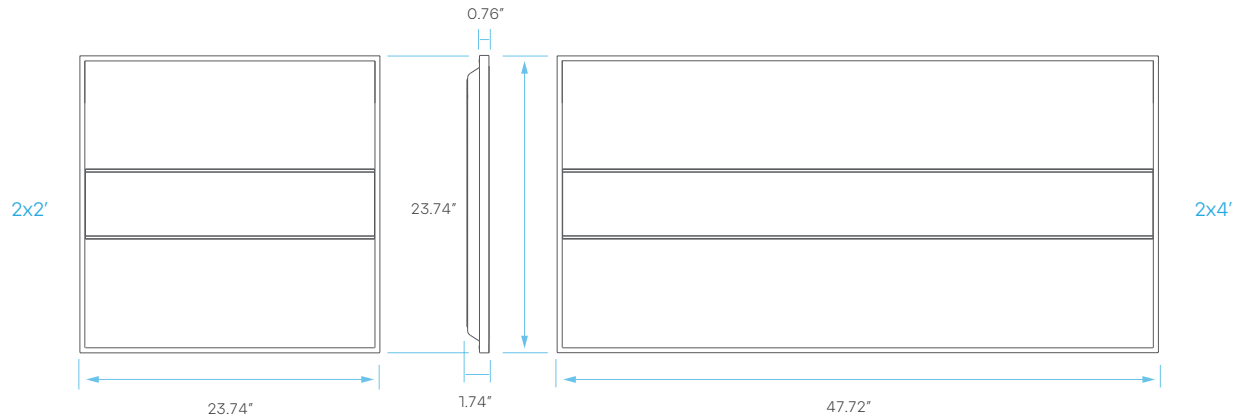


## LED LAY IN DESIGNER PANEL - CENTER LENS 1X4', 2X2', 2X4'





## ELECTRICAL

	MODEL	DESCRIPTION	POWER	INPUT VOLTS	EFFICACY	LIFETIME	COST/YR
1X4'	LR25709	LED1X4DPNL/3WO/3CCT/CL	25	110-277V	110	50,000	\$ 4.21
			30				
2x2'	LR25705	LED2X2DPNL/3WO/3CCT/CL	35	110-277V	110	50,000	\$ 4.21
			25				
			30				
2x4'	LR25707	LED2X4DPNL/3WO/3CCT/CL	30	110-277V	110	50,000	\$ 6.02
			40				
			50				

## PHOTOMETRIC

MODEL	DESCRIPTION	COLOR (CCT)	TEMP	LUMEN	CRI	UL LISTED
LR25709	LED1X4DPNL/3WO/3CCT/CL	3500K/4000K/5000K	CCT SELECT	2750 (@25W)	80	YES
				3300 (@30W)		
				3850 (@35W)		
LR25705	LED2X2DPNL/3WO/3CCT/CL	3500K/4000K/5000K	CCT SELECT	2750 (@25W)	80	YES
				3300 (@30W)		
				3850 (@35W)		
LR25707	LED2X4DPNL/3WO/3CCT/CL	3500K/4000K/5000K	CCT SELECT	3300 (@30W)	80	YES
				4400 (@40W)		
				5500 (@50W)		

COMPATIBLE WITH:

**LR35126**  
Emergency LED Driver

