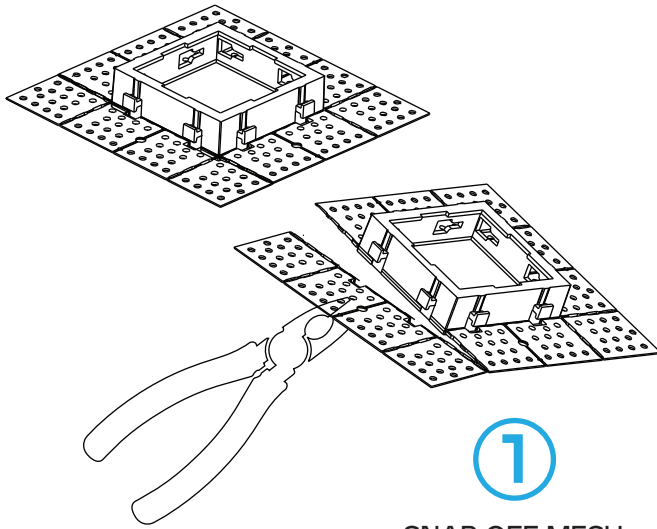




TRIMLESS FINISH

2 SIMPLE STEPS

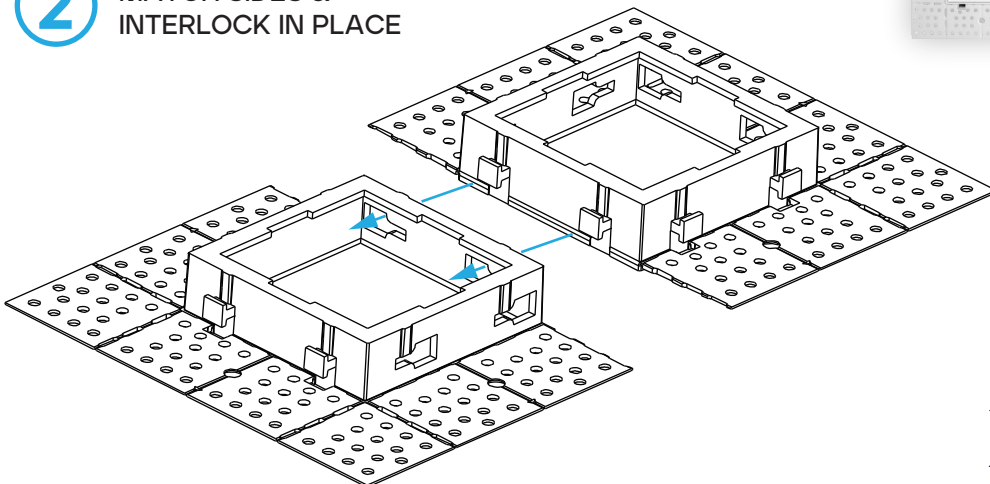
ENDLESS CONFIGURATION OPTIONS



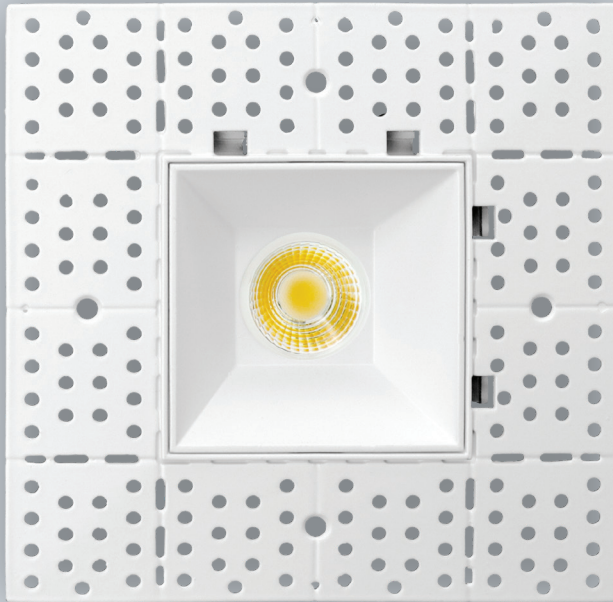
1
SNAP OFF MESH



2 MATCH SIDES & INTERLOCK IN PLACE



LED SPOTLIGHT-CANLESS INTERLOCKING TRIMLESS MODULE - CCT SELECT 2" - HIGH OUTPUT OPTION AVAILABLE

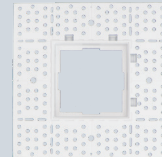


2"

TRIMLUX

INTERLOCKING TRIMLESS MODULE

AVAILABLE COMPONENTS



INTERLOCKING MESH SPARE
LR25476



BLACK TRIM INSERT
LR25477

LR25475

2" 600 LUMENS

LR25480

2" 1000 LUMENS

HIGH OUTPUT

CRI
90

COLOR SELECTABLE

2700K 3000K 3500K 4000K 5000K

DIMMABLE

AIR
TIGHT

IC
RATED

WET
LOCATION
RATED

120V

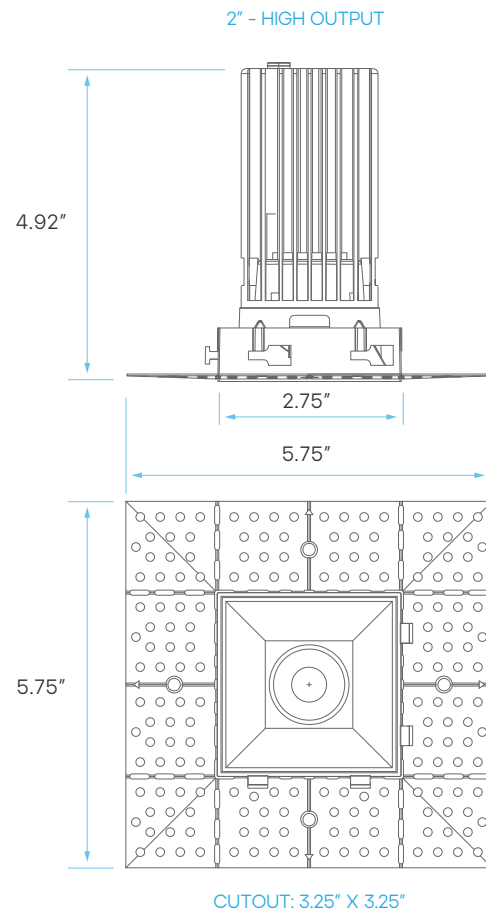
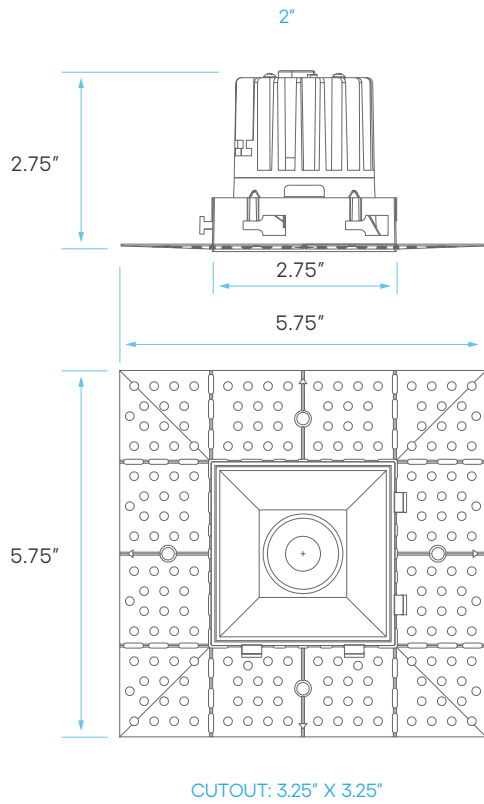
5
YEAR
WARRANTY

ELECTRICAL

	MODEL	DESCRIPTION	POWER	INPUT VOLTS	EFFICACY	FLOOD	LIFETIME	COST/YR
2"	LR25475	LED/ITLMD2/5CCT/SQ/WT/D	8	120V	75	38°	50,000	\$ 0.96
	LR25480	LED/ITLMD2/HO/5CCT/SQ/WT/D	15	120V	67	38°	50,000	\$ 1.80

PHOTOMETRIC

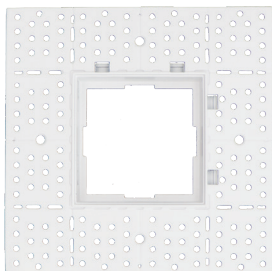
MODEL	DESCRIPTION	COLOR (CCT)	TEMP	LUMEN	CRI	ETL LISTED
LR25475	LED/ITLMD2/5CCT/SQ/WT/D	2700K/3000K/3500K/4000K/5000K	CCT SELECT	600	90	YES
LR25480	LED/ITLMD2/HO/5CCT/SQ/WT/D	2700K/3000K/3500K/4000K/5000K	CCT SELECT	1000	90	YES



AVAILABLE COMPONENTS

*SOLD SEPARATELY

INTERLOCKING MESH SPARE



MODEL

LR25476

DESCRIPTION

LED/ITLMD2/SQ/MESH

BLACK TRIM INSERT



MODEL

LR25477

DESCRIPTION

LED/ITLMD2/SQ/TRIM/BK

COMPATIBILITY

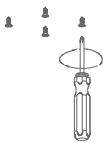
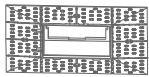
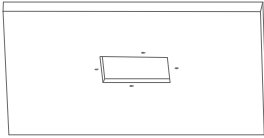
COMPATIBLE WITH:

LR35126
Emergency
LED Driver

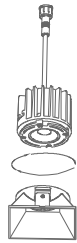
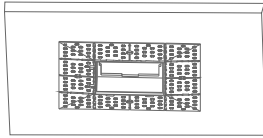


TRIMLESS FINISH INSTALLATION

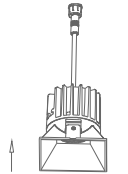
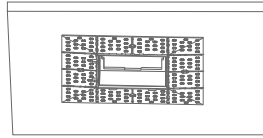
STEP 1.



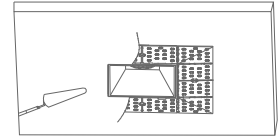
STEP 2.



STEP 3.



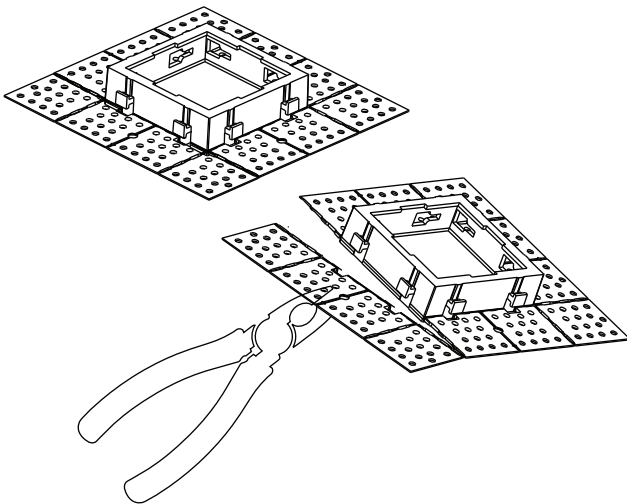
STEP 4.



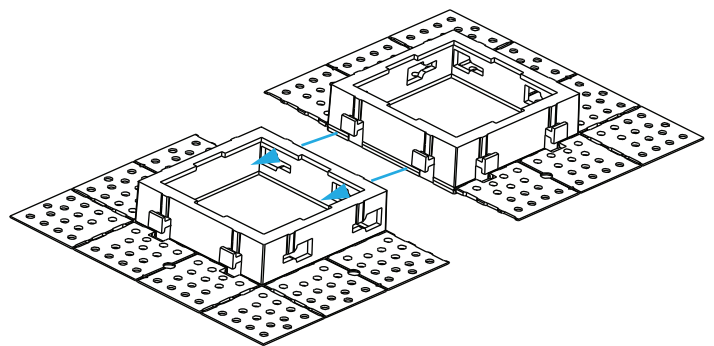
INTERLOCKING FEATURE

2 SIMPLE STEPS

① SNAP OFF MESH



② MATCH SIDES & INTERLOCK IN PLACE



TRIMLUX
INTERLOCKING TRIMLESS MODULE