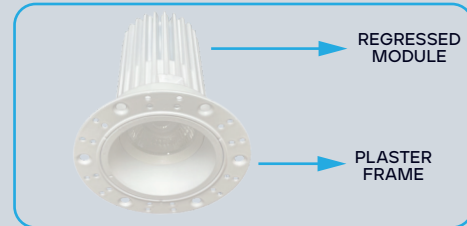
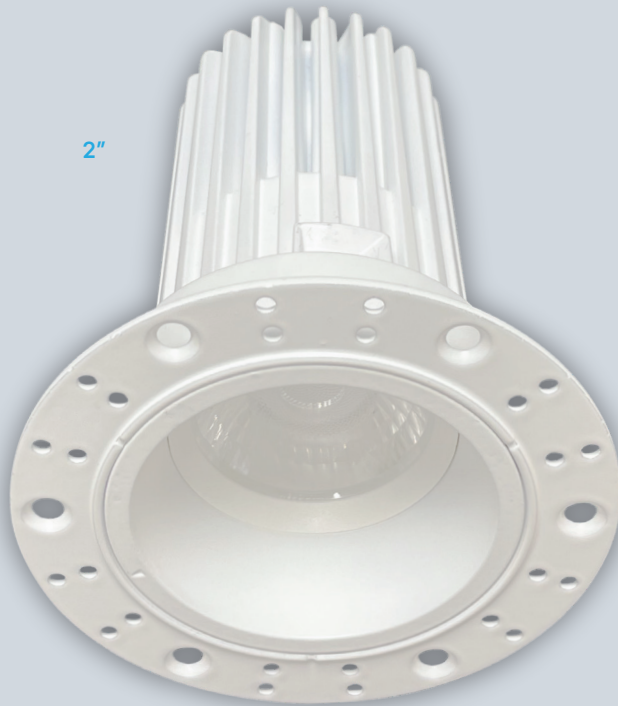


LED SPOTLIGHT-CANLESS TRIMLESS SPOTLIGHT - CCT SELECTABLE 2"



CRI 90

COLOR SELECTABLE

2700K 3000K 3500K 4000K 5000K

DIMMABLE

AIR TIGHT

IC RATED

WET LOCATION RATED

120V

5 YEAR WARRANTY

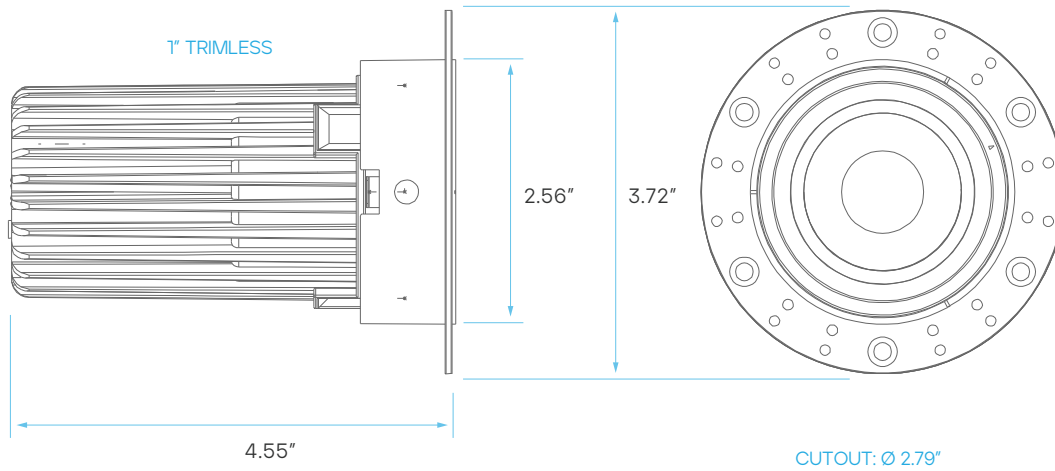
ELECTRICAL

MODEL	DESCRIPTION	POWER	INPUT VOLTS	EFFICACY	FLOOD	LIFETIME	COST/YR
2" LR25440	LED/TLMD2/5CCT/RD/WT/D	9	120V	67	38°	50,000	\$ 1.68

PHOTOMETRIC

MODEL	DESCRIPTION	COLOR (CCT)	TEMP	LUMEN	CRI	ETL LISTED	PLATE (KNOCKOUT)
LR25440	LED/TLMD2/5CCT/RD/WT/D	2700K/3000K/3500K/4000K/5000K	CCT SELECT	1000	90	YES	LR41004 (#1)

DIMENSIONS



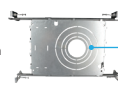
COMPATIBILITY

COMPATIBLE WITH:

LR35126
Emergency LED Driver



LR41004
New Construction Mounting Plate



KNOCKOUTS

#0 #1 #2 #3

KNOCKOUT SIZE

#0	Ø2.125" (Ø54 mm)
#1	Ø2.83" (Ø72 mm)
#2	Ø3.75" (Ø95 mm)
#3	Ø5.19" (Ø132 mm)