

## LED SURFACE MOUNT LINEAR VAPOR TIGHT - HIGH OUTPUT 48", 96"



CRI  
82

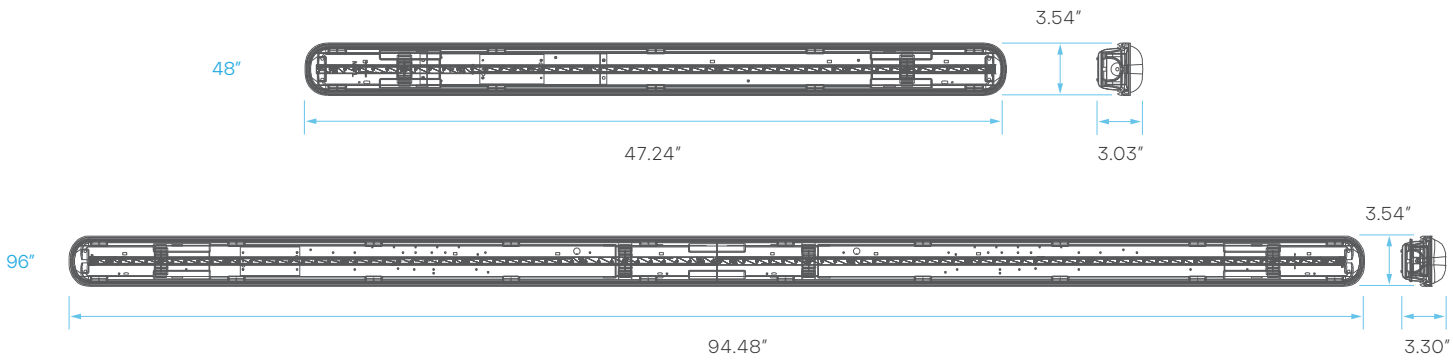
COLOR SELECTABLE  
3500K 4000K 5000K

DIMMABLE  
0-10V

WET  
LOCATION  
RATED

IP RATING  
IP-65

5  
YEAR  
WARRANTY



## ELECTRICAL

MODEL	DESCRIPTION	POWER	INPUT VOLTS	EFFICACY	LIFETIME	COST/YR
48"	LR25260	34	120-277V	3500K - 138	50,000	\$ 5.42
				4000K - 139		
				5000K - 140		
		38		3500K - 135		
				4000K - 136		
				5000K - 137		
		45		3500K - 132		
				4000K - 133		
				5000K - 134		
96"	LR25263	65	120-277V	3500K - 138	50,000	\$ 10.84
				4000K - 139		
				5000K - 140		
		75		3500K - 135		
				4000K - 136		
				5000K - 137		
		90		3500K - 132		
				4000K - 133		
				5000K - 134		

## PHOTOMETRIC

MODEL	DESCRIPTION	COLOR (CCT)	TEMP	LUMEN	CRI	UL LISTED	DLC
LR25260	LED48/VT/3CCT/3WO/UNV/HO	3500K/4000K/5000K	CCT SELECT	3500K - 4692	82	YES	YES
				4000K - 4726			
				5000K - 4760			
				3500K - 5130			
				4000K - 5168			
				5000K - 5206			
				3500K - 5940			
				4000K - 5985			
				5000K - 6030			

## PHOTOMETRIC

MODEL	DESCRIPTION	COLOR (CCT)	TEMP	LUMEN	CRI	UL LISTED	DLC
LR25263	LED96/VT/3CCT/3WO/UNV/HO	3500K/4000K/5000K	CCT SELECT	3500K - 8970	82	YES	YES
				4000K - 9035			
				5000K - 9100			
				3500K - 10125			
				4000K - 10200			
				5000K - 10275			
				3500K - 11880			
				4000K - 11970			
				5000K - 12060			