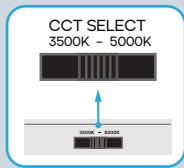
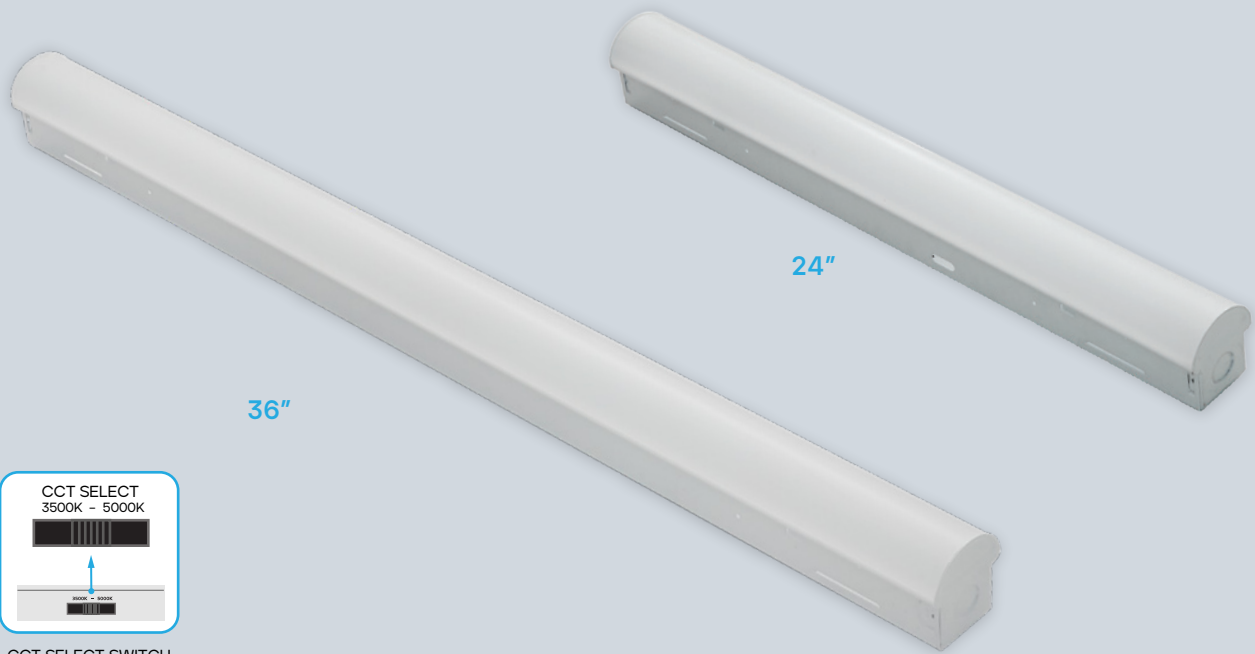


LED LINEAR STRIP SLIM - HIGH OUTPUT 24", 36" - CCT SELECT



CCT SELECT SWITCH
ON THE SIDE

**CRI
80**

COLOR SELECTABLE
3500K 4000K 5000K

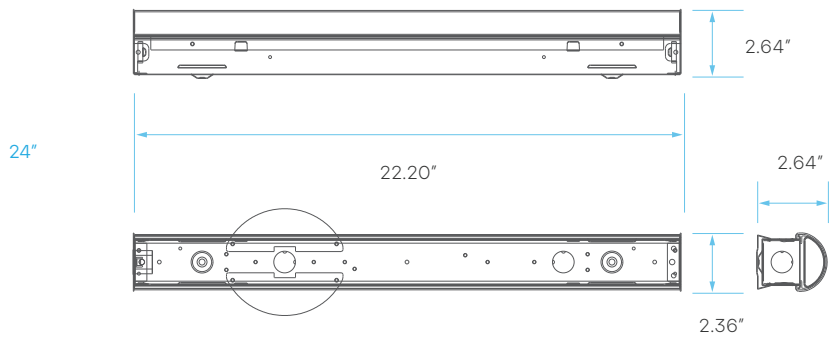
DIMMABLE
0-10V

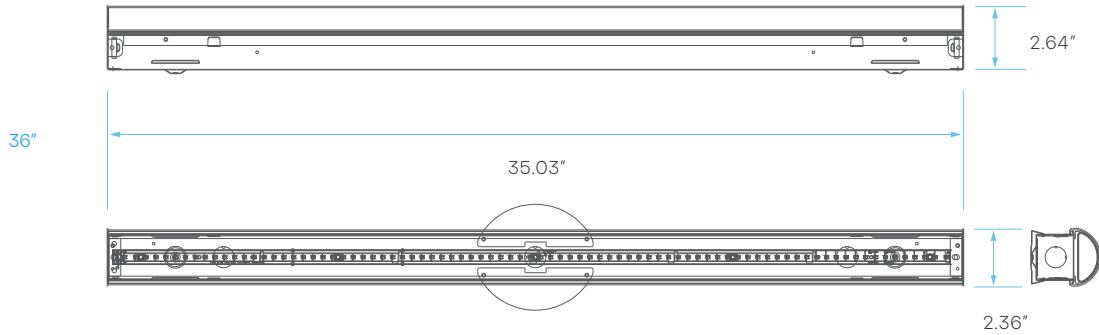
**120-
277V**

LIFE HR
50,000

**DAMP
LOCATION
RATED**

**5
YEAR
WARRANTY**





ELECTRICAL

	MODEL	DESCRIPTION	POWER	LUMEN	COLOR (CCT)	UL
24"	LR25181	LED24/WLINEAR/3CCT/UNV/D/HO	20	3500K - 2600 4000K - 2620 5000K - 2640	3500K/4000K/5000K SELECTABLE	YES
	LR25181+EM	LED24/WLINEAR/3CCT/UNV/D/HO+EM				
36"	LR25183	LED36/WLINEAR/3CCT/UNV/D/HO	25	3500K - 3450 4000K - 3475 5000K - 3500	3500K/4000K/5000K SELECTABLE	YES
	LR25183+EM	LED36/WLINEAR/3CCT/UNV/D/HO+EM				

EMERGENCY DRIVER *INTEGRAL

LR35120
EMERGENCY
LED DRIVER

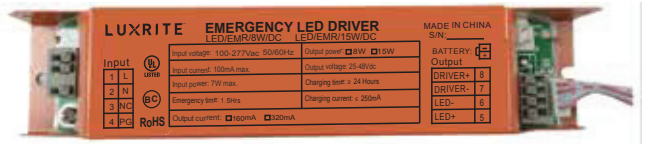


EMERGENCY LED DRIVER 8-15W LR35120, LR35121



FEATURES

- Meets most of safety standards for lighting
- Standard CSA C22.2 NO. 141, UL924
- External lithium battery
- **Battery protection: Overcharge protection, over discharge protection, short circuit protection.**
- Indicator shows a variety of working modes
- The batteries meet 500 cycles of standard CH and standard DCH
- RoHS compliant
- Emergency 1.5 Hrs



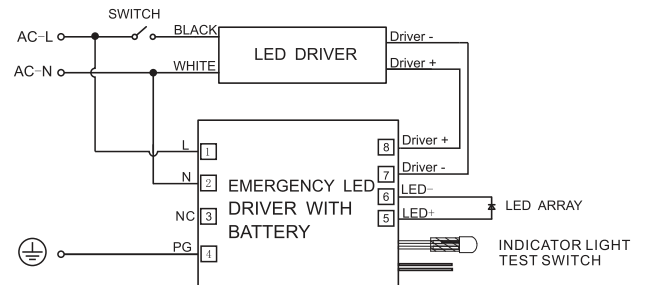
LED/EMR/8W/DC

LED/EMR/15W/DC

SPECIFICATIONS

Universal Input Voltage	100-277VAC, 50/60Hz
AC Input Current	100mA max
AC Input Power Rating	7.0W max
Output Current and Voltage	160-320mA 25-48Vdc
Output Power	8W/15W
Emergency Time	≥ 90 mins
Full Warranty	5 Years
Test Switch Indicator Light	Illuminated Test Switch, indicator light
Battery	Li-ion battery 7.4V/2500mAH Li-ion battery 14.8V/2000mAH
Battery Charging Current	250mA
Recharge Time	≥ 24 Hours
Temperature Rating (Ambient)	Li-ion 0°C to 40°C (32°F to 104°F)
Dimensions	7.4"x1.5"x1.1" (188mmx38mmx29mm)

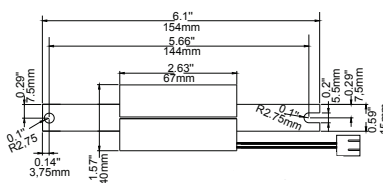
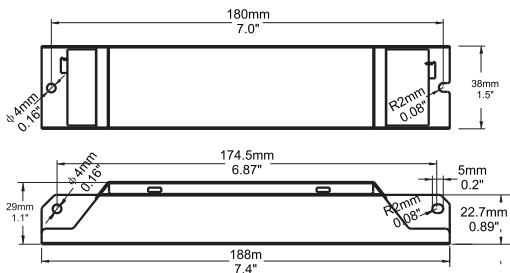
WIRING



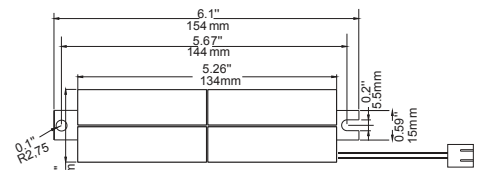
1. DO NOT MATE CONNECTOR UNTIL INSTALLATION IS COMPLETE AND AC POWER IS SUPPLIED.
2. TEST ACCESSORY LEADS-OBSERVE PROPER POLARITY WIRING.

DIMENSIONS

Case: 7.4" x 1.5" x 1.14"
(Mounting center - 7.0")



Battery: 6.1" x 1.57"



Li-ion battery 7.4V/2500mAH
Li-ion battery 14.8V/2000mAH