

## LED SPOTLIGHT-CANLESS 3" REGRESSED INTERCHANGEABLE TRIM MODULE CCT SELECTABLE - HIGH OUTPUT 38°, 60°



3" MODULE



LR25105



LR25106

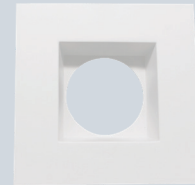
### INTERCHANGEABLE TRIMS

\*SOLD SEPARATELY

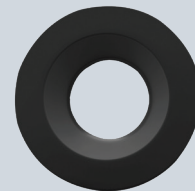
LR25107



LR25108



LR25109



CRI 90

COLOR SELECTABLE

2700K 3000K 3500K 4000K 5000K

DIMMABLE

TRIAC

IC RATED

HIGH OUTPUT

AIR TIGHT

WET LOCATION RATED

5 YEAR WARRANTY

### ELECTRICAL

	MODEL	DESCRIPTION	POWER	INPUT VOLTS	EFFICACY	FLOOD	LIFETIME	COST/YR
3"	LR25105	LED/DLMD3HO/FL/5CCT/D2	15	120V	83	38°	50,000	\$ 1.80
	LR25106	LED/DLMD3HO/WFL/5CCT/D2	15	120V	83	60°	50,000	\$ 1.80

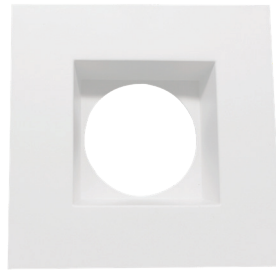
### PHOTOMETRIC

MODEL	DESCRIPTION	COLOR (CCT)	TEMP	LUMEN	CRI	ETL LISTED	PLATE (KNOCKOUT)
LR25106	LED/DLMD3HO/FL/5CCT/D2	2700K/3000K/3500K/4000K/5000K	CCT SELECT	1250	90	YES	LR41002 (#0)
LR25106	LED/DLMD3HO/WFL/5CCT/D2	2700K/3000K/3500K/4000K/5000K	CCT SELECT	1250	90	YES	LR41006 (#1)

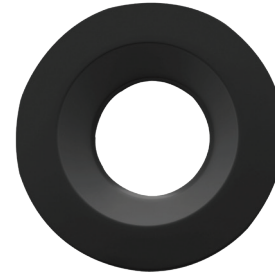
## INTERCHANGEABLE TRIMS



LR25107



LR25108



LR25109

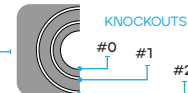
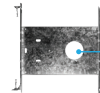
	MODEL	DESCRIPTION	FINISH
SQUARE	LR25107	LED/DLMD3HO/TRIM/RD/W2	ROUND WHITE
SQUARE	LR25108	LED/DLMD3HO/TRIM/SQ/W2	SQUARE WHITE
SQUARE	LR25109	LED/DLMD3HO/TRIM/RD/BK2	ROUND BLACK

COMPATIBLE WITH:

LR35126  
Emergency LED Driver



LR41002  
New Construction Mounting Plate



**KNOCKOUT SIZE**

#0	Ø3.14" (Ø80 mm)
#1	Ø4.33" (Ø110 mm)
#2	Ø6.29" (Ø160 mm)

LR41006  
New Construction Mounting Plate



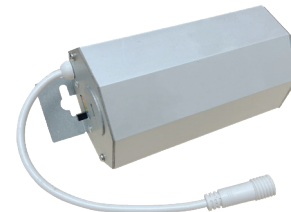
**KNOCKOUT SIZE**

#0	Ø2.12" (Ø54 mm)
#1	Ø3.15" (Ø80 mm)
#2	Ø3.75" (Ø95 mm)
#3	Ø4.25" (Ø108 mm)
#4	Ø5.25" (Ø132 mm)
#5	Ø6.25" (Ø159 mm)

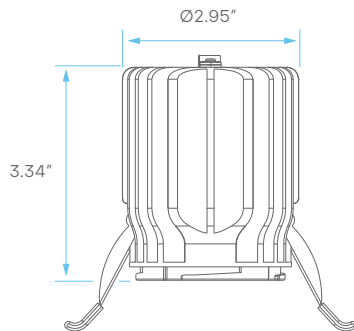
## 120-277V DRIVER

\*SOLD SEPARATELY

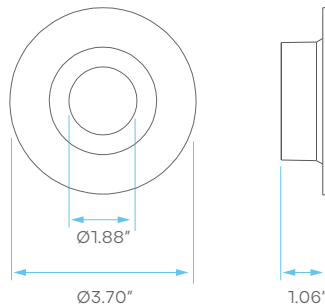
	MODEL	DESCRIPTION	POWER	INPUT
15W	LR23418	LED/URDL2/DRIVER/UNV/0-10V	15	120-277V



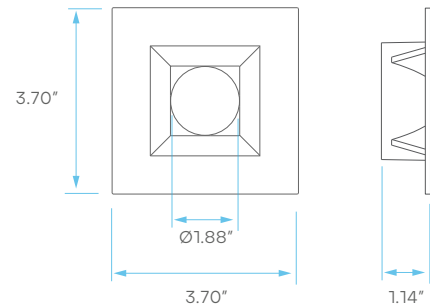
## DIMENSIONS



CUTOUT: Ø 3.15"



ROUND TRIM REPLACEMENT



SQUARE TRIM REPLACEMENT