

## LED SPOTLIGHT-CANLESS REGRESSED INTERCHANGEABLE TRIM 3" MODULE



3" MODULE



### INTERCHANGEABLE TRIMS

\*SOLD SEPARATELY

LR25102



LR25103



LR25104



CRI  
90

COLOR SELECTABLE

2700K 3000K 3500K 4000K 5000K

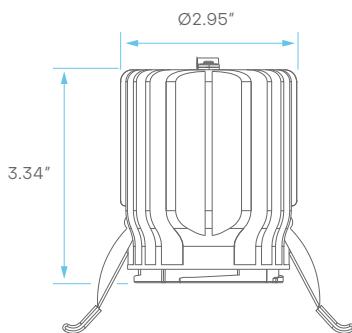
DIMMABLE

TRIAC

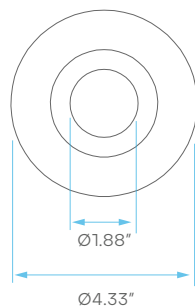
IC  
RATED

WET  
LOCATION  
RATED

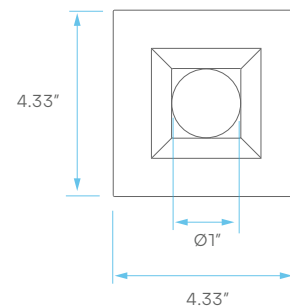
5  
YEAR  
WARRANTY



CUTOUT: Ø 3.5"



ROUND TRIM REPLACEMENT



SQUARE TRIM REPLACEMENT



## ELECTRICAL

3"	MODEL	DESCRIPTION	POWER	INPUT VOLTS	EFFICACY	FLOOD	LIFETIME	COST/YR
	LR25100	LED/DLMD3/5CCT/D	15	120V	67	38°	50,000	\$ 1.80

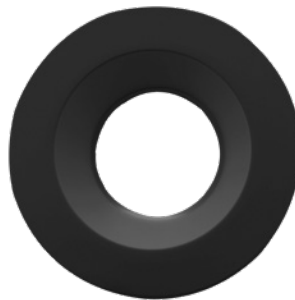
## PHOTOMETRIC

MODEL	DESCRIPTION	COLOR (CCT)	TEMP	LUMEN	CRI	ETL LISTED	PLATE (KNOCKOUT)
LR25100	LED/DLMD3/5CCT/D	2700K/3000K/3500K/4000K/5000K	CCT SELECT	1000	90	YES	LR41004 (#2)

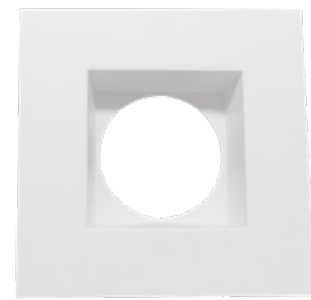
## INTERCHANGEABLE TRIMS



LR25102



LR25103



LR25104

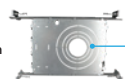
	MODEL	DESCRIPTION	FINISH
ROUND	LR25102	LED/DLMD3/TRIM/RD/W	ROUND WHITE
	LR25103	LED/DLMD3/TRIM/RD/BK	ROUND BLACK
SQUARE	LR25104	LED/DLMD3/TRIM/SQ/W	SQUARE WHITE

COMPATIBLE WITH:

**LR35126**  
Emergency LED Driver



**LR41004**  
New Construction Mounting Plate



KNOCKOUTS		KNOCKOUT SIZE	
#0	#1	#0	Ø2.125" (Ø54 mm)
#2	#3	#1	Ø2.83" (Ø72 mm)
		#2	Ø3.75" (Ø95 mm)
		#3	Ø5.19" (Ø132 mm)