

LED SPOTLIGHT-CANLESS REGRESSED MINI PANEL TRIMLESS - CCT SELECTABLE 3", 4"



3"



REGRESSED MODULE

PLASTER FRAME



TRIMLESS FINISH



4"



COLOR SELECTABLE

2700K 3000K 3500K 4000K 5000K

DIMMABLE

AIR TIGHT

IC RATED

WET LOCATION RATED

120V

5 YEAR WARRANTY

ELECTRICAL

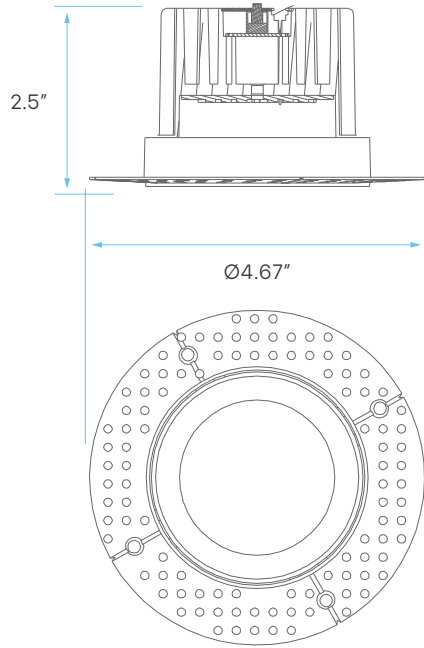
	MODEL	DESCRIPTION	POWER	INPUT VOLTS	EFFICACY	FLOOD	LIFETIME	COST/YR
3"	LR24927	LED/RMP3/5CCT/TL/RD/WT	10	120V	80	110°	50,000	\$ 1.20
4"	LR24929	LED/RMP4/5CCT/TL/RD/WT	15	120V	63	110°	50,000	\$1.80

PHOTOMETRIC

MODEL	DESCRIPTION	COLOR (CCT)	TEMP	LUMEN	CRI	ETL	PLATE (KNOCKOUT)
LR24927	LED/RMP3/5CCT/TL/RD/WT	2700K/3000K/3500K/4000K/5000K	CCT SELECT	750	90	YES	LR41004 (#2), LR41006 (#2)
LR24929	LED/RMP4/5CCT/TL/RD/WT	2700K/3000K/3500K/4000K/5000K	CCT SELECT	1200	90	YES	LR41002 (#1) LR41006 (#3)

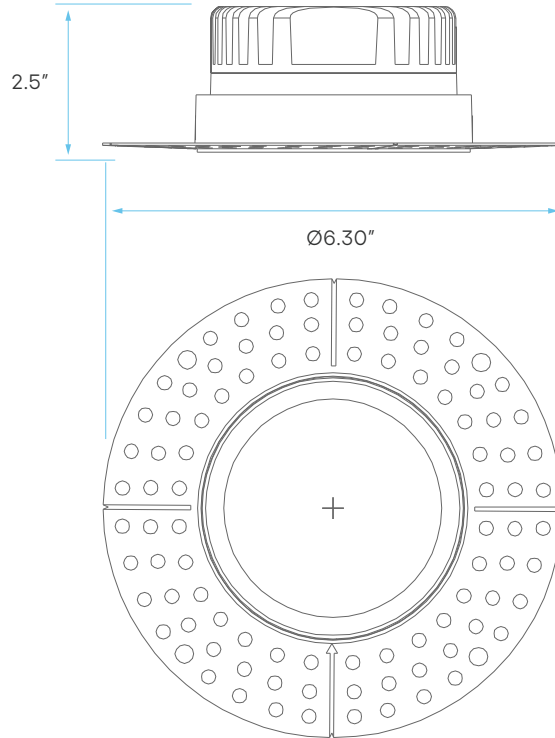
DIMENSIONS

3" TRIMLESS



CUTOUT: Ø 3.23"

4" TRIMLESS



CUTOUT: Ø 3.86"

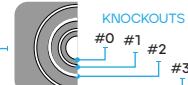
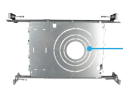
COMPATIBILITY

COMPATIBLE WITH:

LR35126
Emergency LED Driver



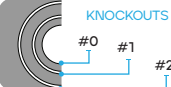
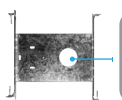
LR41004
New Construction Mounting Plate



KNOCKOUT SIZE

#0	Ø2.125" (Ø54 mm)
#1	Ø2.83" (Ø72 mm)
#2	Ø3.75" (Ø95 mm)
#3	Ø5.19" (Ø132 mm)

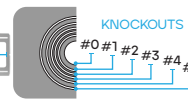
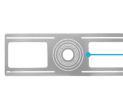
LR41002
New Construction Mounting Plate



KNOCKOUT SIZE

#0	Ø3.14" (Ø80 mm)
#1	Ø4.33" (Ø110 mm)
#2	Ø6.29" (Ø160 mm)

LR41006
New Construction Mounting Plate



KNOCKOUT SIZE

#0	Ø2.12" (Ø54 mm)
#1	Ø3.15" (Ø80 mm)
#2	Ø3.75" (Ø95 mm)
#3	Ø4.25" (Ø108 mm)
#4	Ø5.25" (Ø132 mm)
#5	Ø6.25" (Ø159 mm)