

LED SPOTLIGHT-CANLESS DEEP REGRESSED 2"



**CRI
90**

COLOR SELECTABLE

2700K 3000K 3500K 4000K 5000K

DIMMABLE

**IC
RATED**

**WET
LOCATION
RATED**

120V

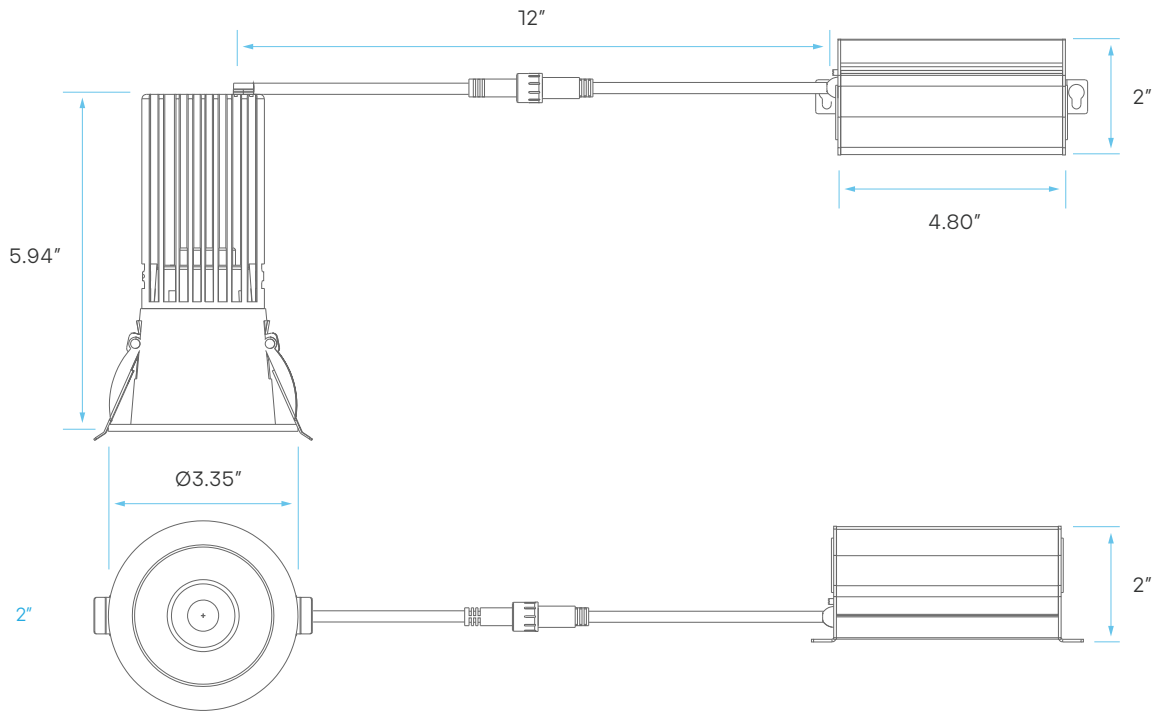
**5
YEAR
WARRANTY**

ELECTRICAL

	MODEL	DESCRIPTION	POWER	INPUT VOLTS	EFFICACY	FLOOD	LIFETIME	COST/YR
2"	LR24925	LED/DRDL2/5CCT/RD/WT	15	120V	67	38°	50,000	\$ 1.80

PHOTOMETRIC

MODEL	DESCRIPTION	COLOR (CCT)	TEMP	LUMEN	CRI	ETL LISTED	PLATE (KNOCKOUT)
LR24925	LED/DRDL2/5CCT/RD/WT	2700K/3000K/3500K/4000K/5000K	CCT SELECT	1000	90	YES	LR41004 (#1)



CUTOUT: Ø 2.83"

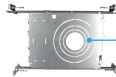
COMPATIBILITY

COMPATIBLE WITH:

LR35126
Emergency LED Driver



LR41004
New Construction Mounting Plate



KNOCKOUTS

#0 #1 #2 #3

KNOCKOUT SIZE

#0	Ø2.125" (Ø54 mm)
#1	Ø2.83" (Ø72 mm)
#2	Ø3.75" (Ø95 mm)
#3	Ø5.19" (Ø132 mm)