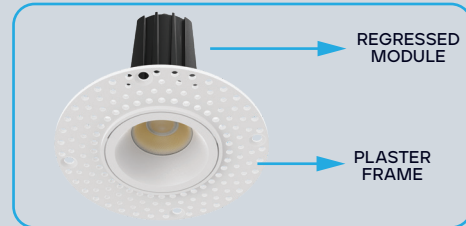
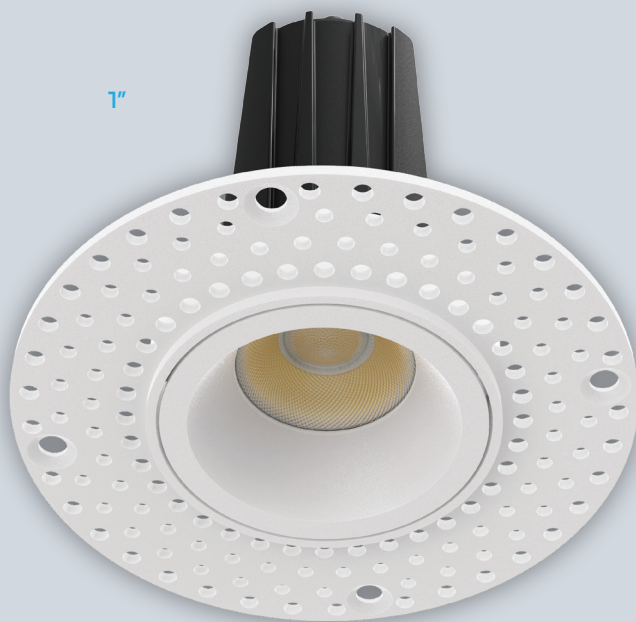


LED SPOTLIGHT-CANLESS TRIMLESS SPOTLIGHT - CCT SELECTABLE 1"



**CRI
80**

COLOR SELECTABLE

2700K 3000K 3500K 4000K 5000K

DIMMABLE

**IC
RATED**

**WET
LOCATION
RATED**

120V

**5
YEAR
WARRANTY**

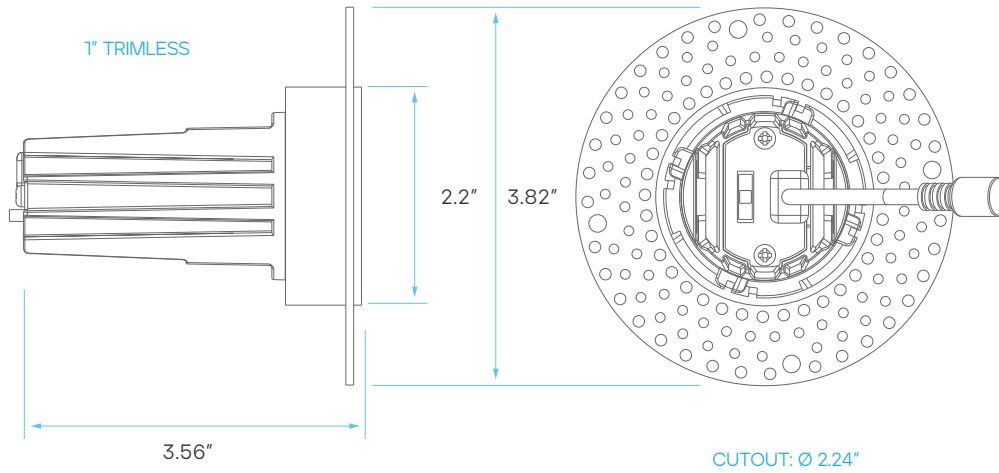
ELECTRICAL

	MODEL	DESCRIPTION	POWER	INPUT VOLTS	EFFICACY	FLOOD	LIFETIME	COST/YR
1"	LR24916	LED/TLMD1/5CCT/RD/WT	7	120V	78	38°	50,000	\$ 0.84

PHOTOMETRIC

MODEL	DESCRIPTION	COLOR (CCT)	TEMP	LUMEN	CRI	ETL LISTED	PLATE (KNOCKOUT)
LR24916	LED/TLMD1/5CCT/RD/WT	2700K/3000K/3500K/4000K/5000K	CCT SELECT	550	80	YES	LR41004 (#1)

DIMENSIONS



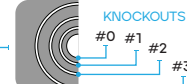
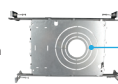
COMPATIBILITY

COMPATIBLE WITH:

LR35126
Emergency LED Driver



LR41004
New Construction Mounting Plate



KNOCKOUT SIZE	
#0	Ø2.125" (Ø54 mm)
#1	Ø2.83" (Ø72 mm)
#2	Ø3.75" (Ø95 mm)
#3	Ø5.19" (Ø132 mm)