

LED LAMP PIN BASE - QUAD STYLE HORIZONTAL, VERTICAL



3 CCT SWITCH



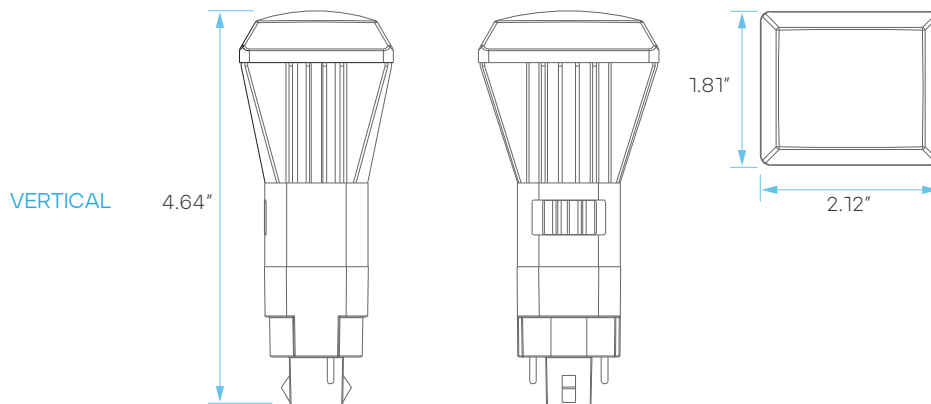
HORIZONTAL
26W | 36W | 42W
WATT REPLACEMENT

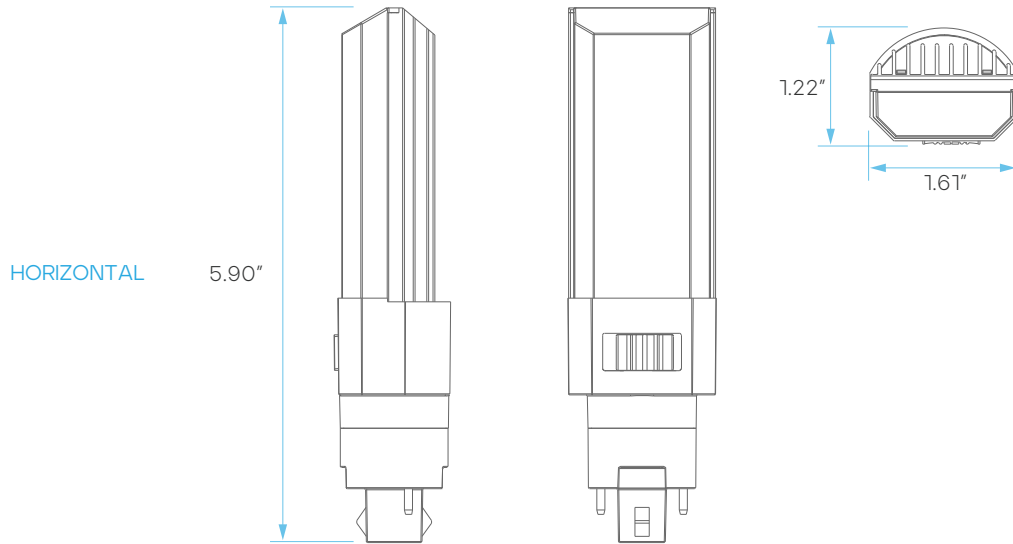


3 CCT SWITCH



VERTICAL
26W | 36W | 42W
WATT REPLACEMENT





ELECTRICAL

	MODEL	DESCRIPTION	POWER	INPUT VOLTS	EFFICACY	LIFETIME	WATT REPLACEMENT	COST/YR
HORIZONTAL	LR24565	LED11DD/E/3CCT/B-H	11	120-277V	139	50,000	26/36/42	\$ 1.32
VERTICAL	LR24567	LED11DD/E/3CCT/B-V	11	120-277V	139	50,000	26/36/42	\$ 1.32

PHOTOMETRIC

MODEL	DESCRIPTION	COLOR (CCT)	TEMP	LUMEN	BASE	FLOOD	CRI	UL
LR24565	LED11DD/E/3CCT/B-H	3500K/4000K/5000K	CCT SELECT	1450	G24D/G24Q	120°	83	YES
LR24567	LED11DD/E/3CCT/B-V	3500K/4000K/5000K	CCT SELECT	1450	G24D/G24Q	120°	83	YES