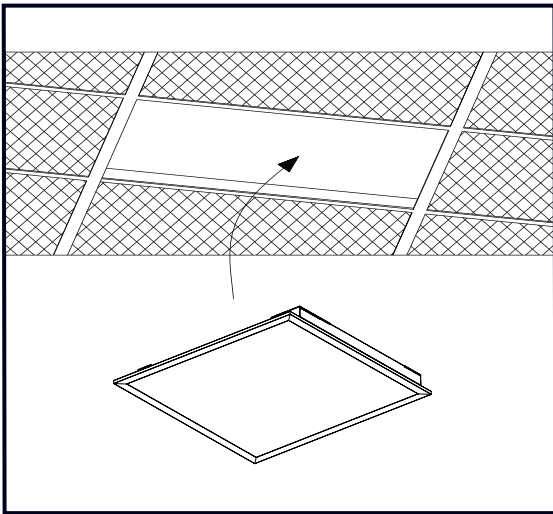


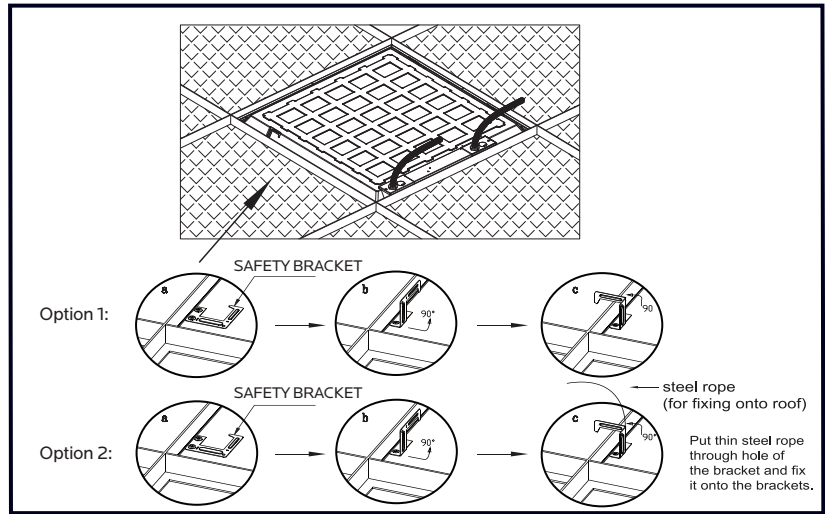
## 1X4, 2X2, 2X4 CCT SELECTABLE BACKLIT PANEL LR24270, LR24273, LR24275

PLEASE READ THESE INSTRUCTIONS CAREFULLY BEFORE INSTALLATION AND KEEP FOR REFERENCE  
ELECTRICAL PRODUCTS CAN CAUSE DEATH OR INJURY, OR DAMAGE TO PROPERTY. IF IN ANY DOUBT ABOUT THE INSTALLATION OR USE OF THIS PRODUCT, CONSULT A COMPETENT ELECTRICIAN.

### RECESSED INSTALLATION



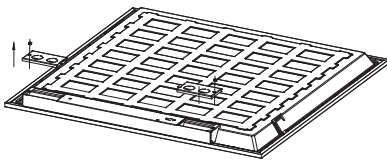
1. Replace existing lighting fixture from ceiling with LED panel



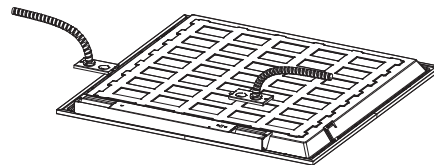
2. Use the safety brackets to secure and keep in place.

### INSTALLATION GUIDE

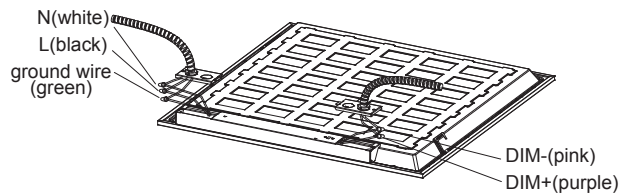
1. Unscrew the driver cover



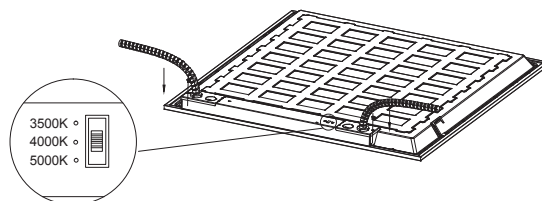
2. Connect the conduit to the driver box.



3. Connect other wires separately

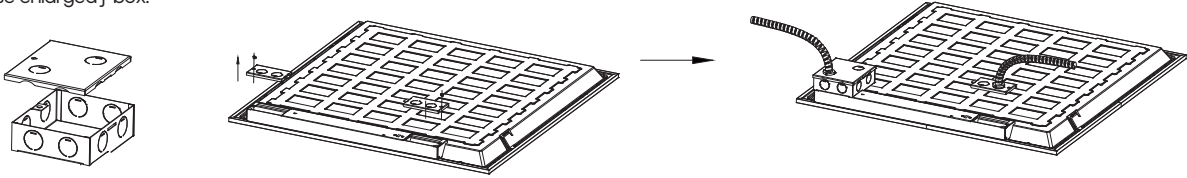


4. Put back the driver cover and fix it by screw  
Select adjustable color temperature.

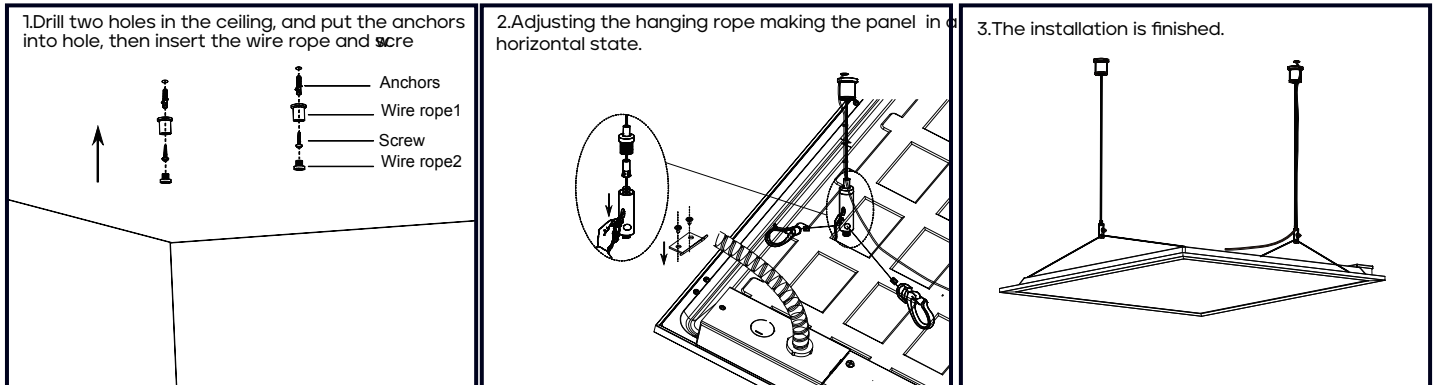


**\*OPTIONAL ACCESSORIES**

If there are more wires, you can choose to use enlarged j-box.

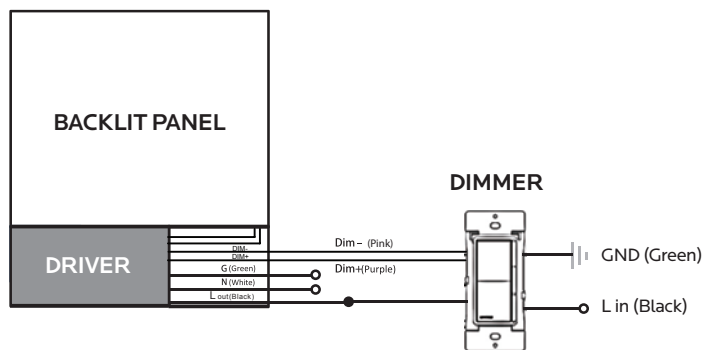


## SUSPENSION KIT INSTALLATION



Note: 2\*2/1\*4/2\*4ft: 2 pcs suspension kits needed for installation.

## WIRE CONNECTION



## WARNING

- LED PANELS ARE NOT SUITABLE FOR USE IN WET LOCATIONS
- KEEP LED PANEL AWAY FROM ANY CORROSIVE SUBSTANCE, AND USE DRY CLOTH WHEN CLEANING IT.
- LED PANELS CAN ONLY BE INSTALLED BY A QUALIFIED ELECTRICIAN.
- BEFORE INSTALLATION OR MAINTENANCE, PLEASE DISCONNECT THE POWER TO PREVENT ELECTRIC SHOCK.