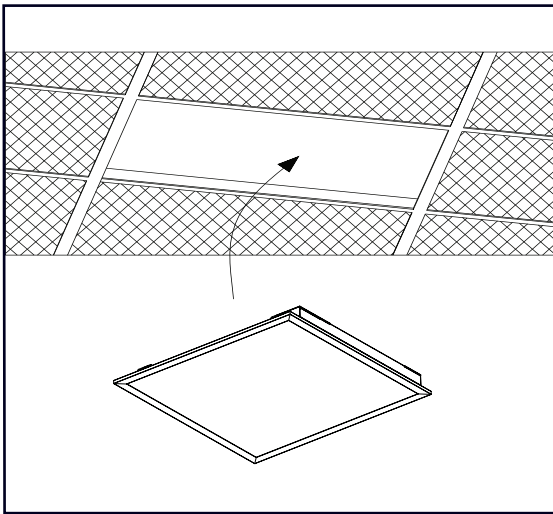


1X4, 2X2, 2X4 ANTI-GLARE LED BACKLIT PANEL

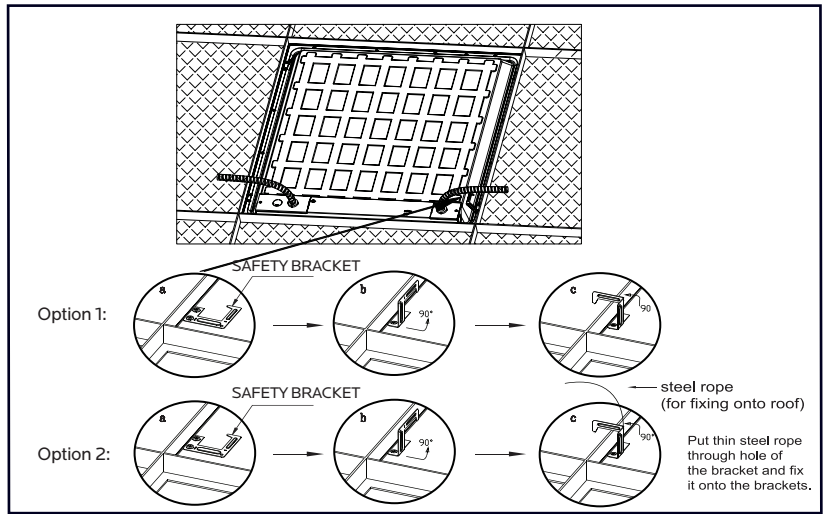
LR24250, LR24253, LR24255

PLEASE READ THESE INSTRUCTIONS CAREFULLY BEFORE INSTALLATION AND KEEP FOR REFERENCE
ELECTRICAL PRODUCTS CAN CAUSE DEATH OR INJURY, OR DAMAGE TO PROPERTY. IF IN ANY DOUBT ABOUT THE INSTALLATION OR USE OF THIS PRODUCT, CONSULT A COMPETENT ELECTRICIAN.

RECESSED INSTALLATION



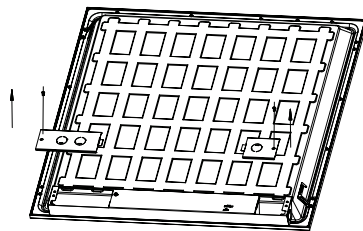
1. Replace existing lighting fixture from ceiling with LED panel



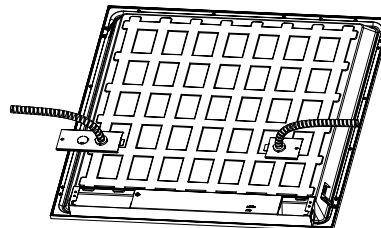
2. Use the safety brackets to secure and keep in place.

INSTALLATION GUIDE

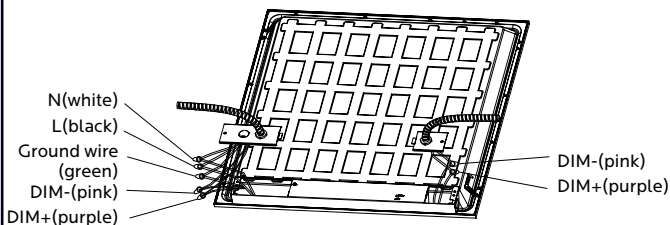
1. Unscrew the driver cover



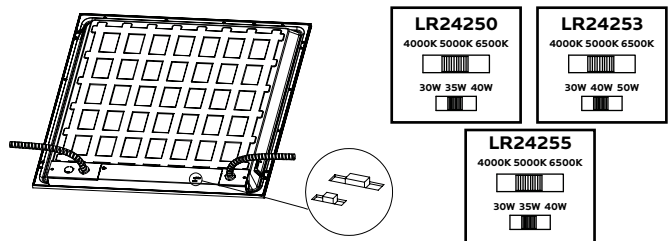
2. Connect the conduit to the driver box.



3. Connect other wires separately

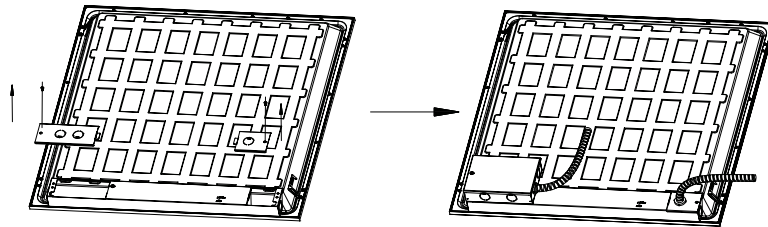


4. Put back the driver cover and fix it by screw
Select adjustable power and color temperature.

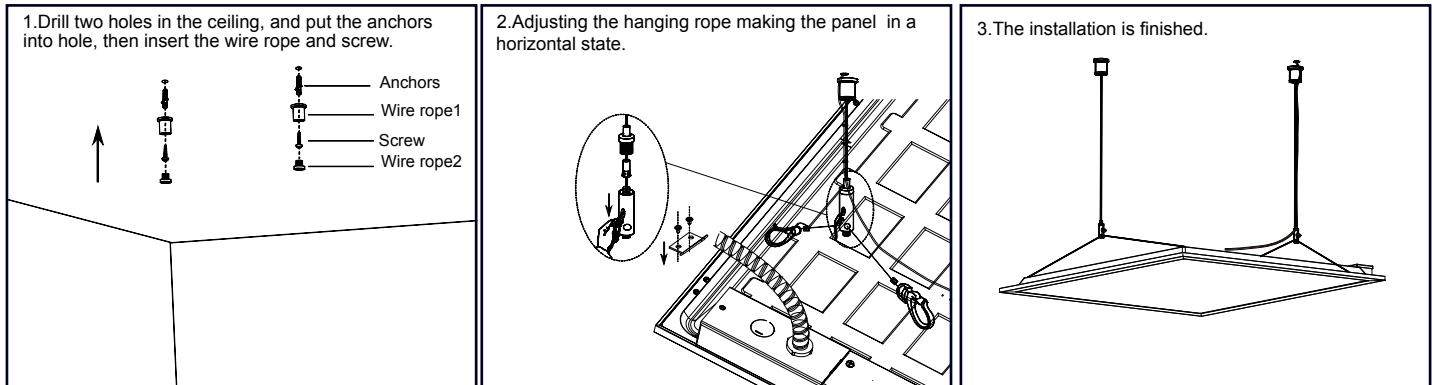


***OPTIONAL ACCESSORIES**

If there are more wires, you can choose to use enlarged j-box.



SUSPENSION KIT INSTALLATION



Note: 2*2/1*4/2*4ft: 2 pcs suspension kits needed for installation.

WIRE CONNECTION

