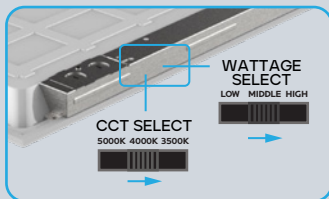
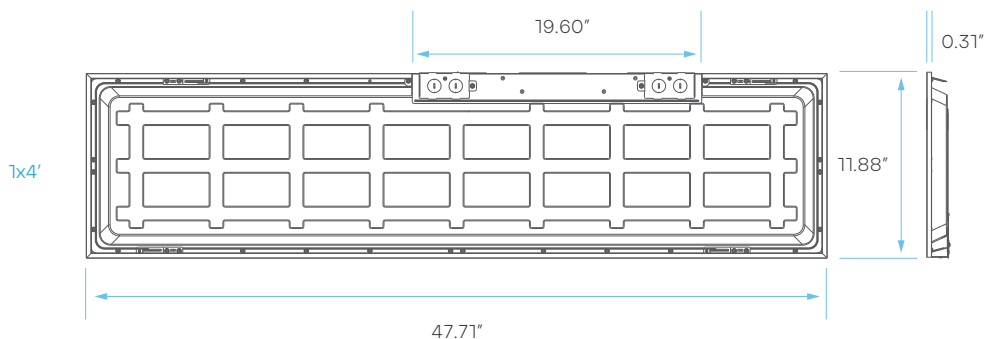
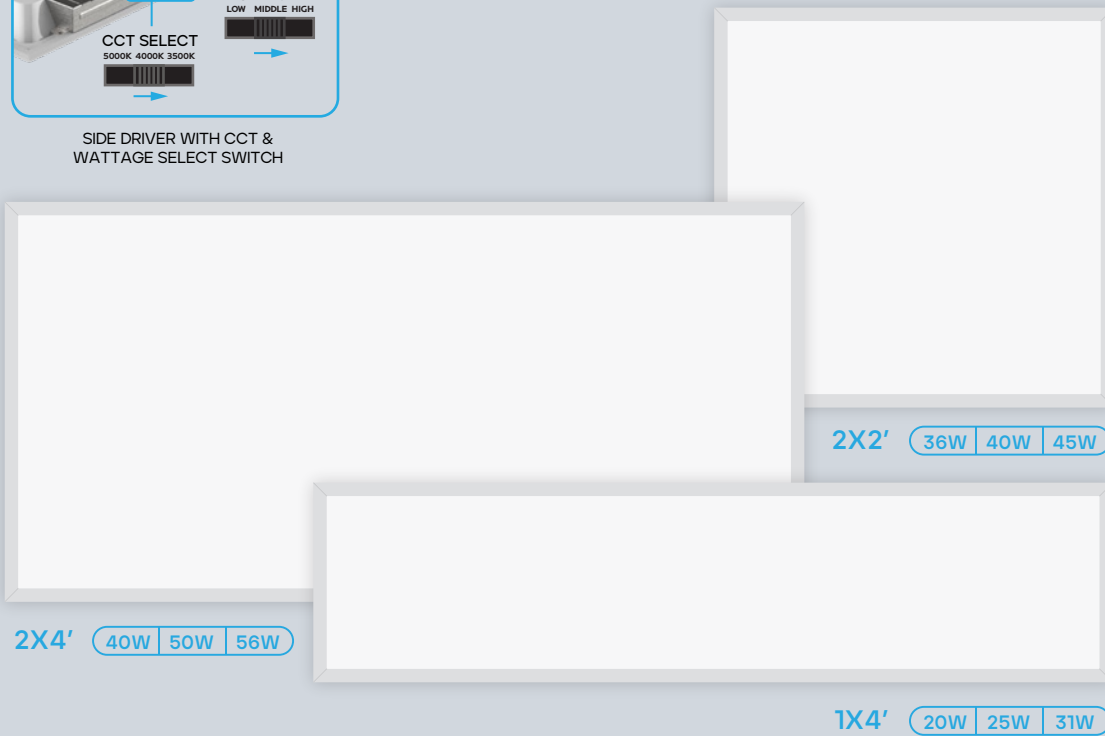
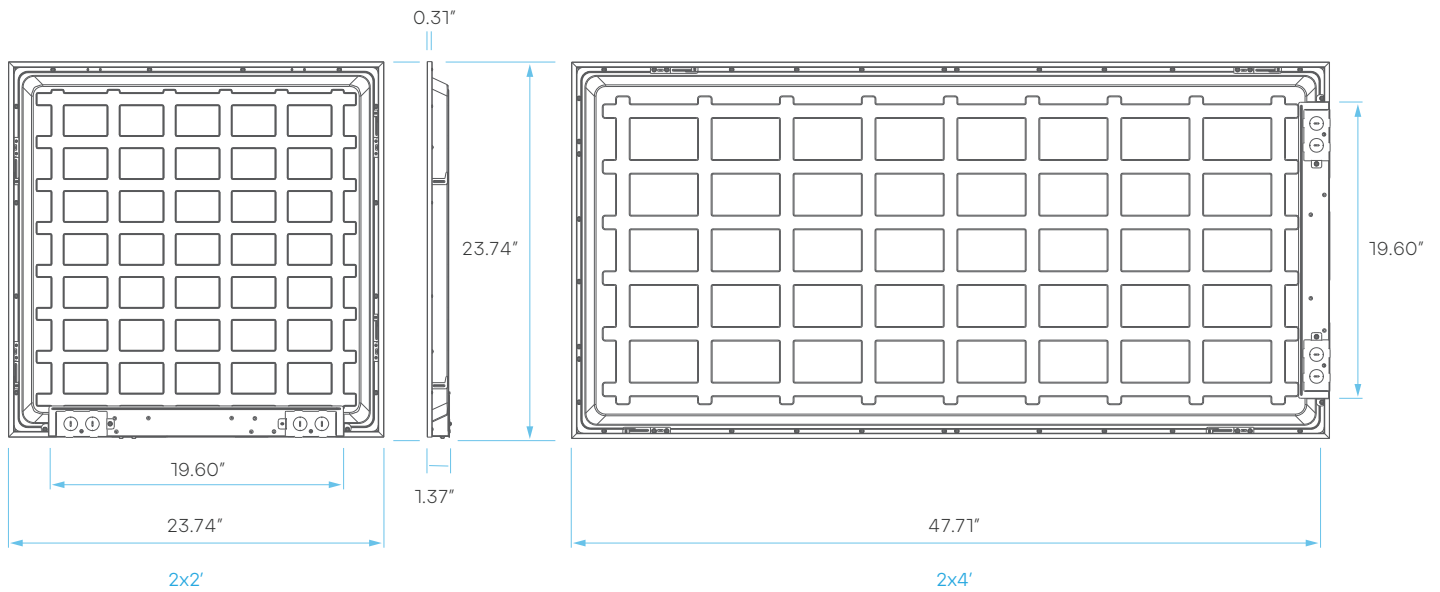


## LED LAY IN FLAT PANEL - BACKLIT 1X4', 2X2', 2X4'

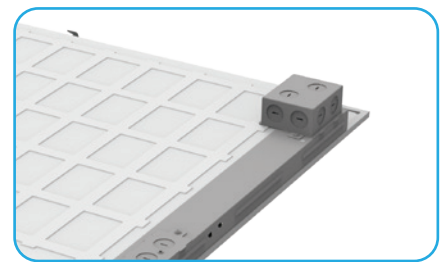


SIDE DRIVER WITH CCT & WATTAGE SELECT SWITCH





## MAKEUP OF CCT & WATTAGE SELECT BACKLIT PANEL



**LR24239 J-BOX EXTENDER**  
\*INCLUDED

## ELECTRICAL

MODEL	DESCRIPTION	POWER	INPUT VOLTS	EFFICACY	LIFETIME	COST/YR
1X4'	LR24227	LED1X4BPNL/3WO/3CCT/D	20	120-277V	125	50,000
			25			
			31			
2x2'	LR24230	LED2X2BPNL/3WO/3CCT/D	36	120-277V	125	50,000
			40			
			45			
2x4'	LR24233	LED2X4BPNL/3WO/3CCT/D	40	120-277V	125	50,000
			50			
			56			

## PHOTOMETRIC

MODEL	DESCRIPTION	COLOR (CCT)	TEMP	LUMEN	CRI	UL	DLC
LR24227	LED1X4BPNL/3WO/3CCT/D	3500K/4000K/5000K	CCT SELECT	2500 (@20W)	80	YES	YES
				3125 (@25W)			
				3819 (@31W)			
LR24230	LED2X2BPNL/3WO/3CCT/D	3500K/4000K/5000K	CCT SELECT	4500 (@36W)	80	YES	
				5000 (@40W)			
				5583 (@45W)			
LR24233	LED2X4BPNL/3WO/3CCT/D	3500K/4000K/5000K	CCT SELECT	5625 (@40W)	80	YES	YES
				6250 (@50W)			
				7106 (@56W)			

## ACCESSORIES

\*SOLD SEPARATELY



J-BOX EXTENDER \*INCLUDED

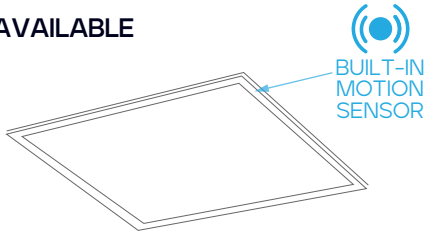
MODEL	DESCRIPTION
LR24239	LEDBPNL/BOX



EMERGENCY BRACKET

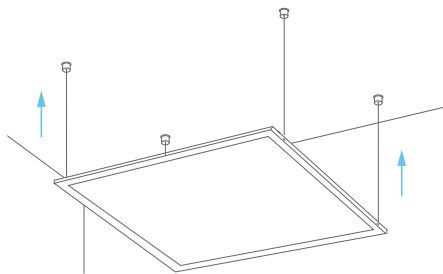
MODEL	DESCRIPTION
LR24236	LEDBPNL/EMBRACKET

ALSO AVAILABLE



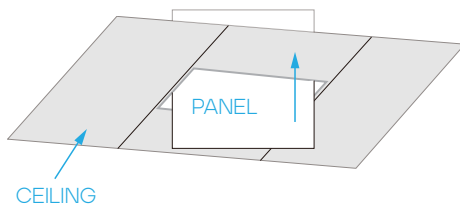
## BUILT-IN MOTION SENSOR

MODEL	DESCRIPTION
LR24228	LED1X4BPNL/3WO/3CCT/D/MS
LR24231	LED2X2BPNL/3WO/3CCT/D/MS
LR24234	LED2X4BPNL/3WO/3CCT/D/MS



## SUSPENSION KIT

MODEL	DESCRIPTION
LR24178	LED/1/2X4/SUSPENSION/KIT
LR24177	LED/2X2/SUSPENSION/KIT



AVAILABLE IN 2X2, 1X4 & 2X4

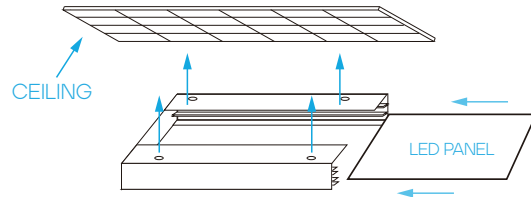
## FLANGE KIT

MODEL	DESCRIPTION
LR24180	LED/1X4/FLANGE/KIT
LR24181	LED/2X2/FLANGE/KIT
LR24182	LED/2X4/FLANGE/KIT

## REMOTE CONTROL



MODEL	DESCRIPTION
LR24237	LEDBPNL/REMOTE



AVAILABLE IN 2X2, 1X4 & 2X4

## SURFACE KIT

MODEL	DESCRIPTION
LR24096	LED/2X2/SURFACE/KIT/D
LR24097	LED/1X4/SURFACE/KIT/D
LR24098	LED/2X4/SURFACE/KIT/D



## EMERGENCY LED DRIVER

MODEL	DESCRIPTION
LR35122	LED/EMR/8-15W/DC/FC/E

## MULTI-FUNCTION MOTION SENSOR \*ALSO AVAILABLE



10FT DETECTION AREA (RADIUS)	23FT (max)
20FT DETECTION AREA (RADIUS)	16FT (max)
HOLD TIME	30s/1min/3min/5min
STAND-BY TIME	1min/∞

STAND-BY DIMMING: 0% 10% 30%

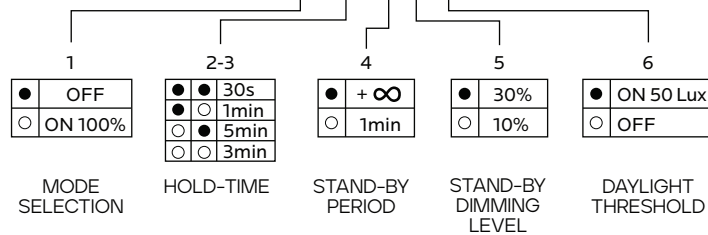
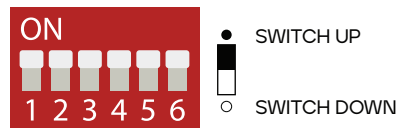
FIXTURE BRIGHTNESS: 10% 30% 50%

### ADJUSTABLE FEATURES

- AMBIENT LIGHT SENSOR
- HOLD TIME
- STAND-BY TIME
- STANDBY DIMMING LEVEL
- NORMALLY ON MODE
- DAYLIGHT SENSOR: ON/OFF
- DIMMING MODE: PWM/0-10V

### REMOTE CONTROL: IR

MODEL	DESCRIPTION
LR24237	LEDBPNL/REMOTE *SOLD SEPARATELY



### 3 STEP DIMMING FUNCTION



WHEN THE LIGHT IS BRIGHT, THE LIGHT DOESN'T GO ON.



WHEN AMBIENT LIGHT IS DIM, SENSORS DETECT MOTION AND LIGHTS ARE 100% ON.



WHEN THE HOLDING TIME ENDS AND NO MOTION IS DETECTED, THE LIGHT BRIGHTNESS IS AUTOMATICALLY DIMMED AND THE WAITING TIME STARTS.



AT THE END OF THE WAITING TIME, NO MOTION IS DETECTED AND THE LIGHTS ARE TURNED OFF (OR KEPT ON AT THE WAITING BRIGHTNESS) IN THE THIRD STAGE.