

## 1X4, 2X2, 2X4 LED BACKLIT PANEL - CCT & WATTAGE SELECTABLE LR24227, LR24230, LR24233

PLEASE READ THESE INSTRUCTIONS CAREFULLY BEFORE INSTALLATION AND KEEP FOR REFERENCE

### IMPORTANT SAFETY INSTRUCTIONS

#### WARNINGS

- WARNING - Risk of electric shock. Do not open or remove covers
- DISCONNECT POWER BEFORE REPAIRS AND MAINTENANCE
- WARNING - Risk of electric shock. Use in dry or damp locations only
- WARNING - Risk of electric shock. Not for use where exposed to weather

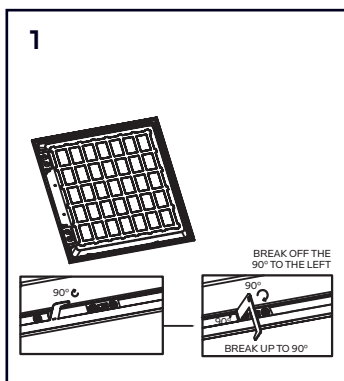
#### IMPORTANT

- Read instructions carefully before installation.
- Keep these instructions for future reference.
- The backlit LED panels must be wired in accordance with the National Electrical Code and all applicable local codes.
- Proper grounding is required for safety.
- This product must be installed in accordance with the applicable installation code by a qualified electrician who is familiar with the construction and operation of the product and the hazards involved.

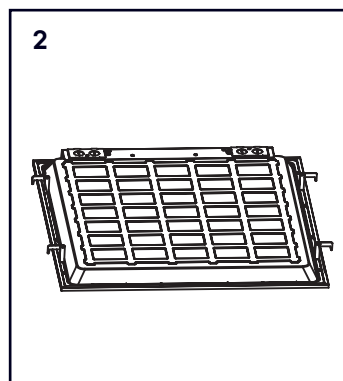
#### CAUTION

- Inherently protected
  - Access above ceiling required
  - Suitable for damp location use
  - This product must be installed in accordance with the applicable installation code by a person familiar with the construction and operation of the product and the hazard involved.
  - Suitable for operation in ambient not exceeding 104°F
  - Do not press the diffuser with your fingers (when installing the panel light).
- RISK OF FIRE OR ELECTRIC SHOCK. THE BACKLIT LED PANELS INSTALLATION REQUIRES KNOWLEDGE OF LUMINAIRES AND ELECTRICAL SYSTEMS. IF NOT QUALIFIED, DO NOT ATTEMPT INSTALLATION. CONTACT A QUALIFIED ELECTRICIAN.
  - TURN OFF ELECTRICAL POWER AT FUSE OR CIRCUIT BREAKER BOX BEFORE WIRING FIXTURE TO THE POWER SUPPLY.
  - TURN OFF THE POWER WHEN YOU PERFORM ANY MAINTENANCE.

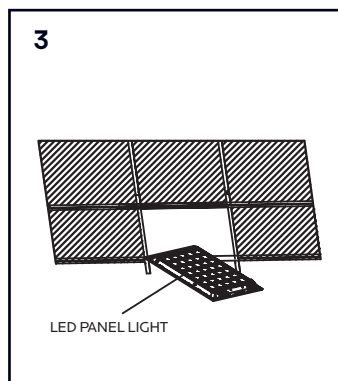
### SURFACE MOUNTED INSTALLATION



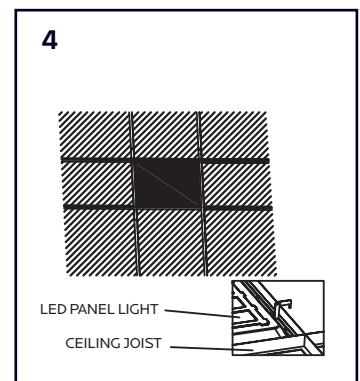
1. Remove the original ceiling tile for the backlit LED panel.



2. Turn off the electrical power, then connect with L/N/GND wire leads.

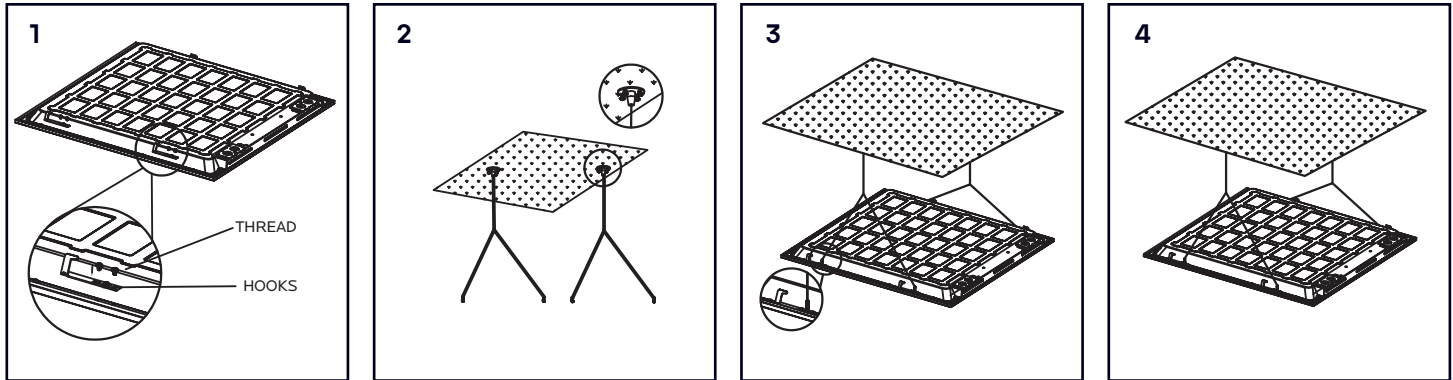


3. Use the protective brackets for safety.



4. Adjust appropriate location in the T bar.

## CABLE MOUNTING (CABLE ASSEMBLY MUST BE PURCHASED SEPARATELY)



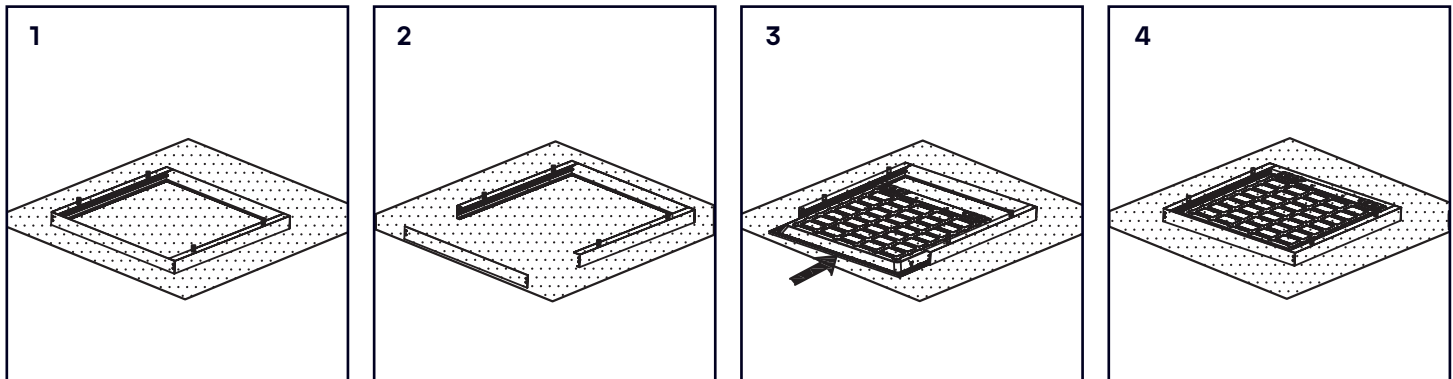
1. Turn off the electrical power, then make sure the backlit cable hooks are installed.

2. Fix the cable on the ceiling wall.

3. Clip the cable into the hooks of the backlit panel.

4. Connect the L/N/GND wire leads.

## CEILING MOUNTING (MOUNTING KIT SOLD SEPARATELY)



1. Turn off the electrical power, then make sure the bracket set with 4 frames.

2. Fix 3 frames as bracket set on the ceiling as shown above.

3. Slot the backlit panel into the bracket set.

4. Fix last frame on the bracket set

## WIRE CONNECTION

