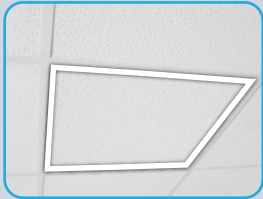
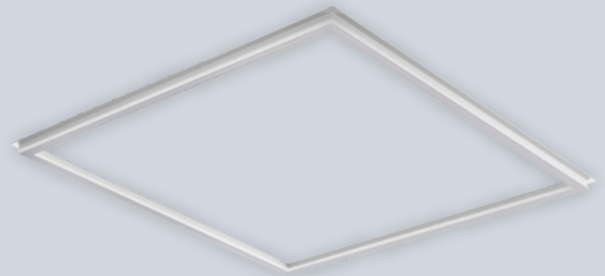


## LED LAY IN FRAME PANEL - CCT & WATTAGE SELECTABLE 1X4', 2X2', 2X4'

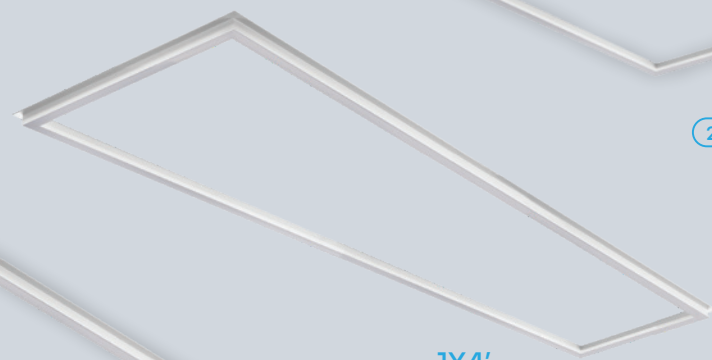


FRAME PANEL IN USE



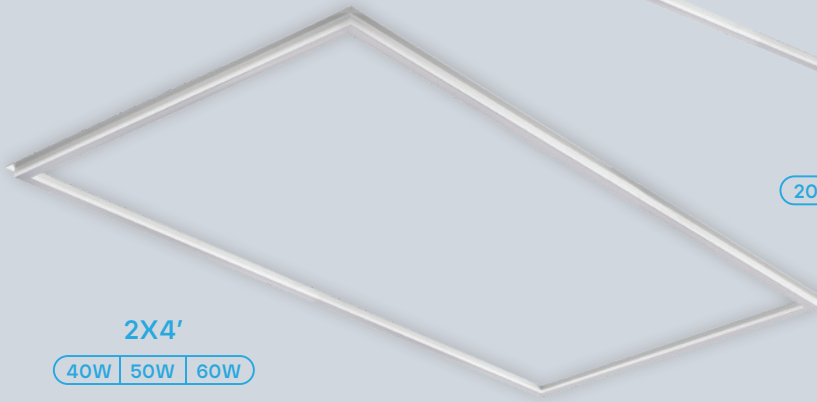
2X2'

20W | 30W | 40W



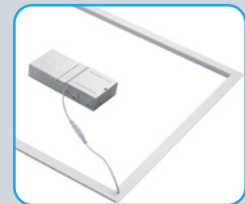
1X4'

20W | 30W | 40W



2X4'

40W | 50W | 60W



DRIVER WITH CCT & WATTAGE SELECT SWITCH



**COLOR SELECTABLE**

3000K | 4000K | 5000K

**WATTAGE SELECTABLE**

3 OPTIONS

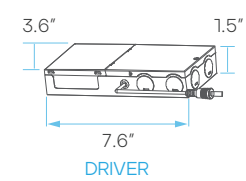
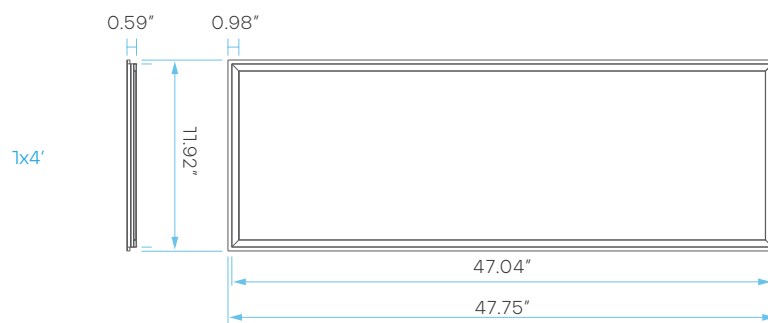
**DIMMABLE**

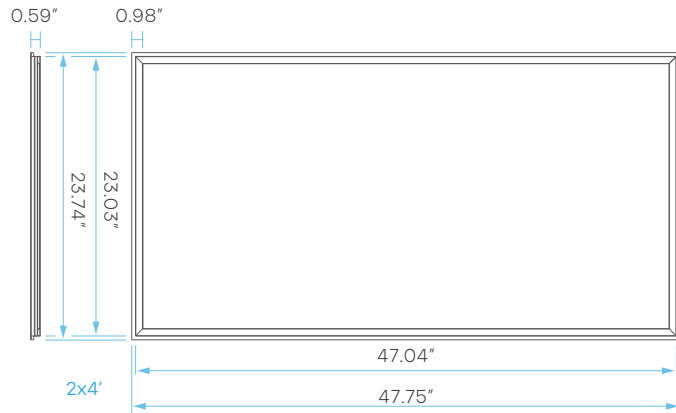
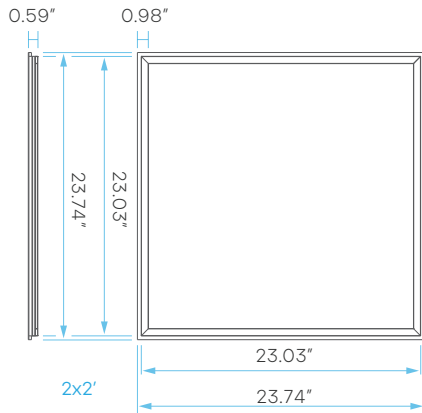
0-10V

**DAMP LOCATION RATED**

**IP RATING IP-40**

**5 YEAR WARRANTY**





## ELECTRICAL

MODEL	DESCRIPTION	POWER	INPUT VOLTS	EFFICACY	LIFETIME	COST/YR
1x4'	LR24188 LED1X4FRAME/PNL/3WO/3CCT/D	20	100-277V	125	50,000	\$ 3.61
		30				
		40				
2x2'	LR24185 LED2X2FRAME/PNL/3WO/3CCT/D	20	100-277V	125	50,000	\$ 4.81
		30				
		40				
2x4'	LR24187 LED242FRAME/PNL/3WO/3CCT/D	40	100-277V	125	50,000	\$ 7.22
		50				
		60				

## PHOTOMETRIC

MODEL	DESCRIPTION	COLOR (CCT)	TEMP	LUMEN	FLOOD	CRI	ETL	DLC
LR24188	LED1X4FRAME/PNL/3WO/3CCT/D	3000K/4000K/5000K	CCT SELECT	2500 (@20W)	120°	80	YES	
				3750 (@30W)				
				5000 (@40W)				
LR24185	LED2X2FRAME/PNL/3WO/3CCT/D	3000K/4000K/5000K	CCT SELECT	2500 (@20W)	120°	80	YES	YES
				3750 (@30W)				
				5000 (@40W)				
LR24187	LED242FRAME/PNL/3WO/3CCT/D	3000K/4000K/5000K	CCT SELECT	5000 (@40W)	120°	80	YES	YES
				6250 (@50W)				
				7500 (@60W)				

COMPATIBLE WITH:

**LR35126**  
Emergency LED Driver



**LR24183**  
4' CABLE EXTENDER



## 2X2 FRAME PANEL CANOPY

COMPATIBLE WITH LR24185

\*SOLD SEPARATELY

MODEL

DESCRIPTION

LR24184

LED2X2FRAME/PNL/CANOPY



FRAME PANEL CANOPY IN USE