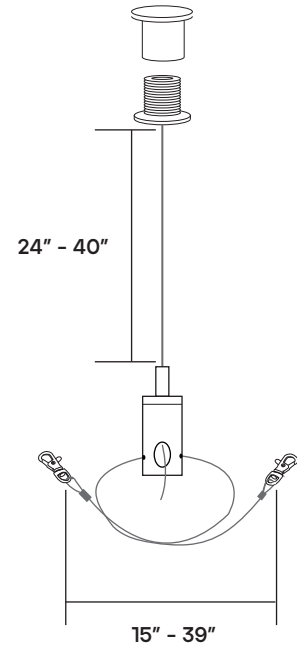
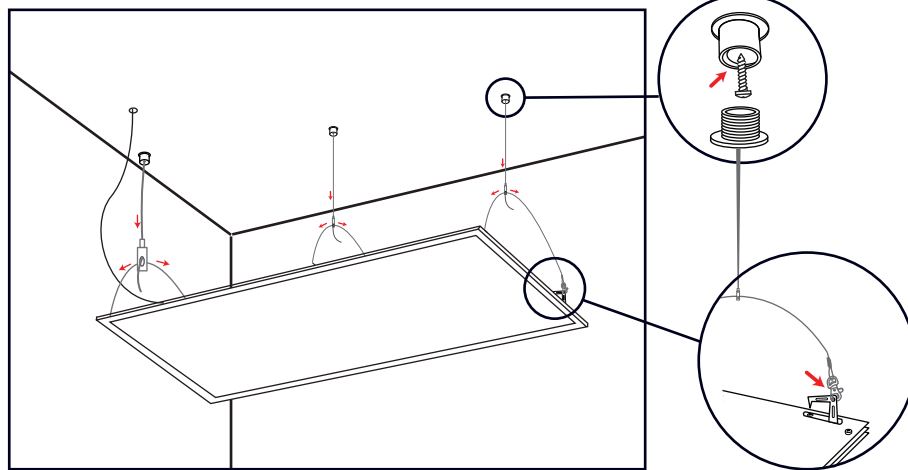


SUSPENSION KIT LR24177, LR24178

ACCESSORIES SET



INSTALLATION INSTRUCTIONS

1. MAKE SURE THAT THE POWER IS OFF BEFORE ATTEMPTING INSTALLATION.
2. MAKE SURE THAT THE CEILING CAN HOLD THE WEIGHT OF THE LED PANEL AND INSTALL CEILING BRACKETS SUITABLE TO SUPPORT THE WEIGHT OF THE LED PANEL. FIXING CABLES.
3. GATHER PANEL AND CONNECT THE WIRES.
4. ATTACH THE SUSPENDED CABLES TO THE BENDS AT THE EDGES OF THE LED FLAT PANEL.
5. TURN ON THE MAIN POWER, INSTALLATION IS FINISHED.