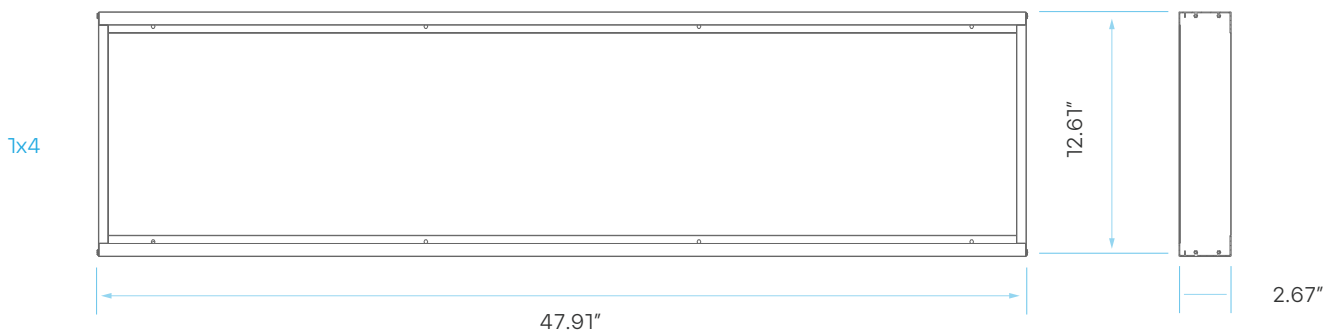
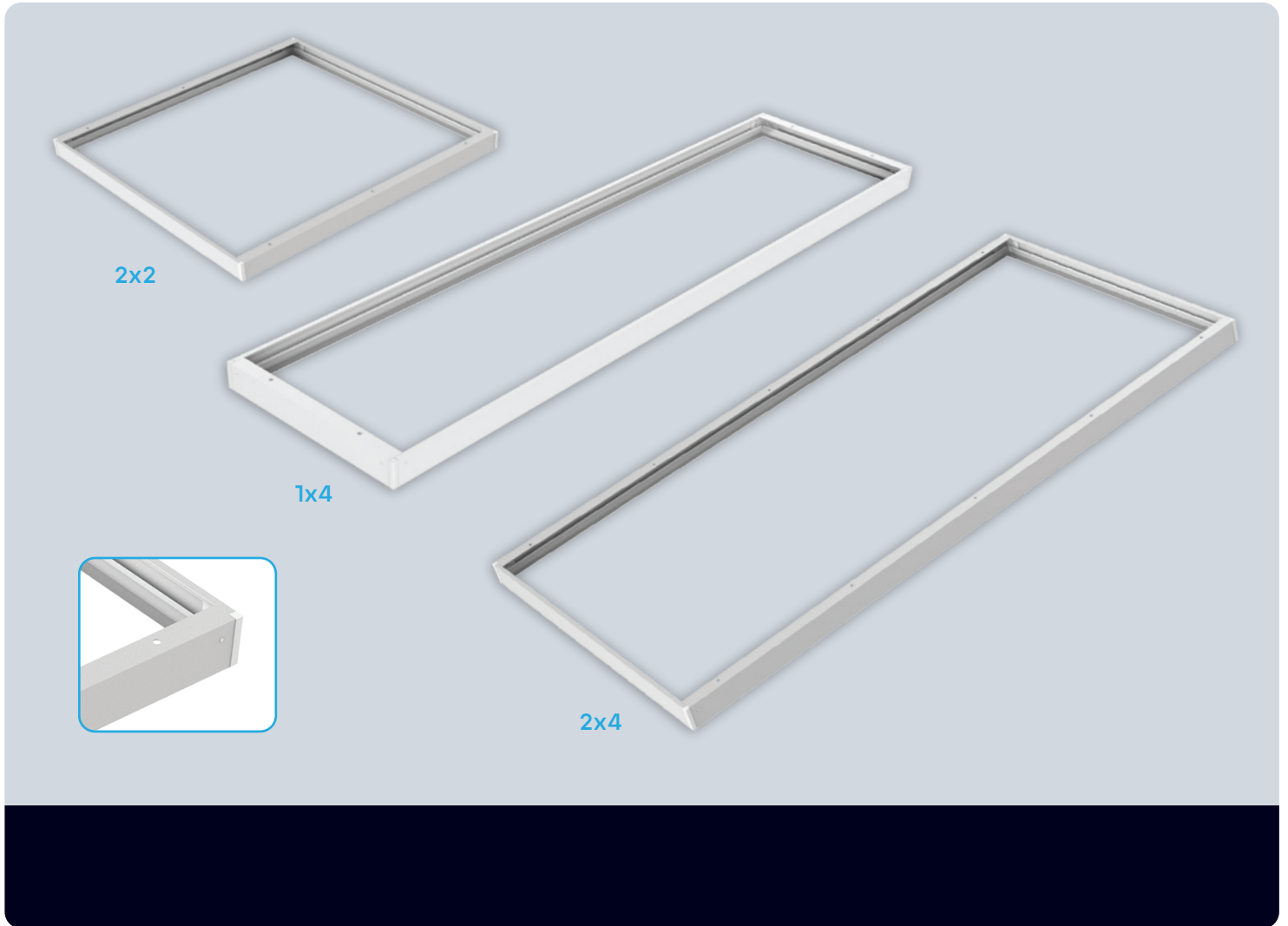
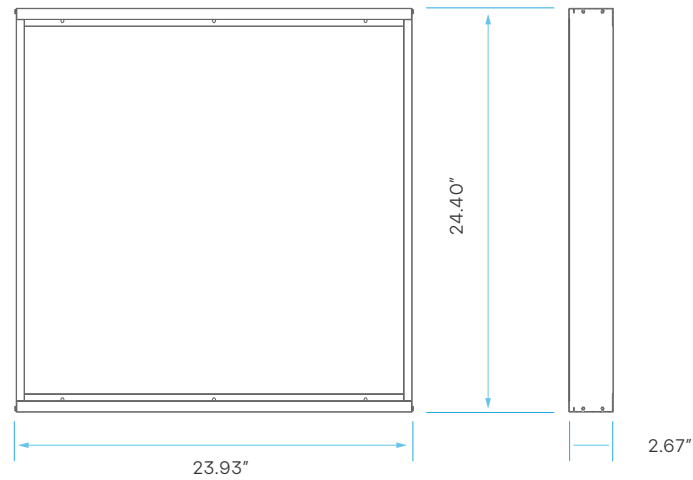


LAY IN FLAT PANEL - MOUNT KIT 1X4, 2X2, 2X4





2x4



SPECIFICATIONS

	MODEL	DESCRIPTION	SIZE	FINISH	CASE
2x2	LR24096	LED/2X2/SURFACE/KIT/D	23.93" x 24.40" x 2.67"	WHITE	12
1x4	LR24097	LED/1X4/SURFACE/KIT/D	47.91" x 12.61" x 2.67"	WHITE	12
2x4	LR24098	LED/2X4/SURFACE/KIT/D	47.91" x 24.40" x 2.67"	WHITE	12