

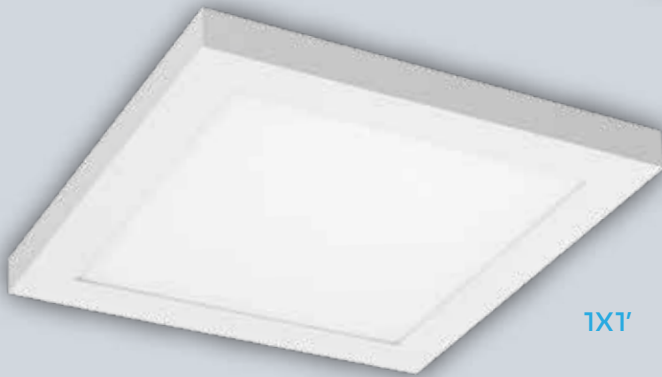
LED SURFACE MOUNT PANEL 1X1', 1X2'



1X2'



1X1'



5 CCT SWITCH
ON THE BACK



CRI
80

COLOR SELECTABLE

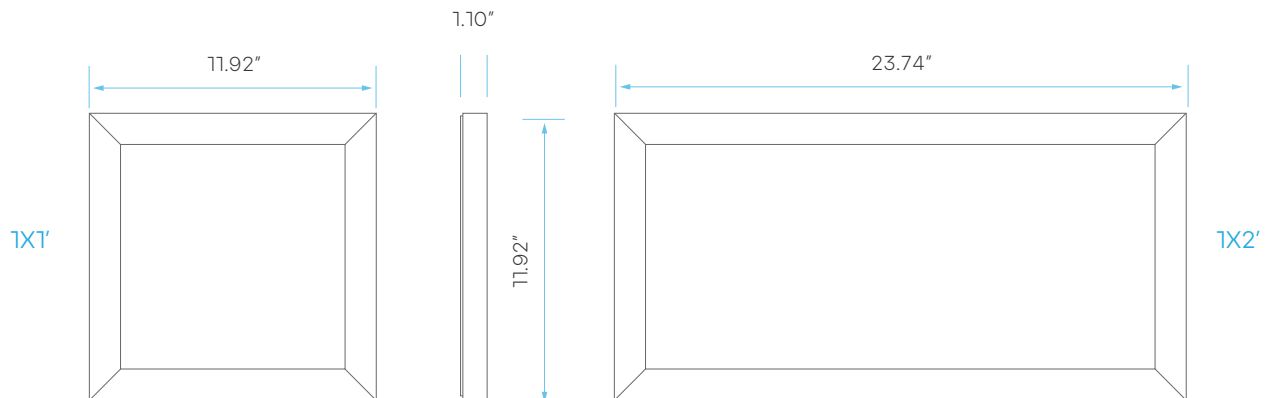
2700K 3000K 3500K 4000K 5000K

DIMMABLE

TRIAC

DAMP
LOCATION
RATED

5
YEAR
WARRANTY



ELECTRICAL

	MODEL	DESCRIPTION	POWER	INPUT VOLTS	EFFICACY	LIFETIME	COST/YR
1x1	LR24025	LED18W1X1PANEL/5CCT/D	18	120V	100	50,000	\$ 1.81
1x2	LR24027	LED22W1X2PANEL/5CCT/D	22	120V	91	50,000	\$ 2.65

PHOTOMETRIC

MODEL	DESCRIPTION	COLOR (CCT)	TEMP	LUMEN	CRI	UL	ENERGY STAR
LR24025	LED18W1X1PANEL/5CCT/D	2700K/3000K/3500K/4000K/5000K	CCT SELECT	1500	80	YES	YES
LR24027	LED22W1X2PANEL/5CCT/D	2700K/3000K/3500K/4000K/5000K	CCT SELECT	2100	80	YES	YES