

LED SURFACE MOUNT PANEL

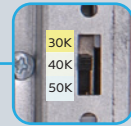
1X4, 2X2, 2X4



2X4



MOUNTING
PLATE



3 CCT SWITCH
ON THE BACK

2X2

1X4



COLOR SELECTABLE

3000K 4000K 5000K

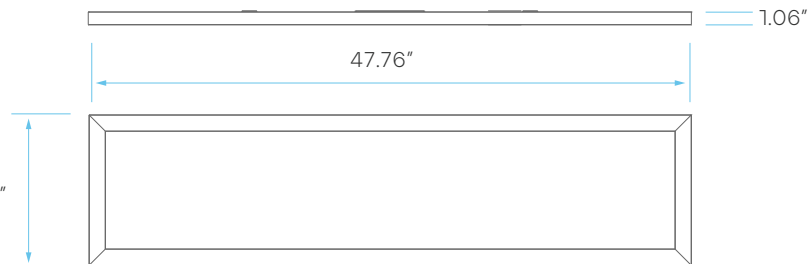
DIMMABLE

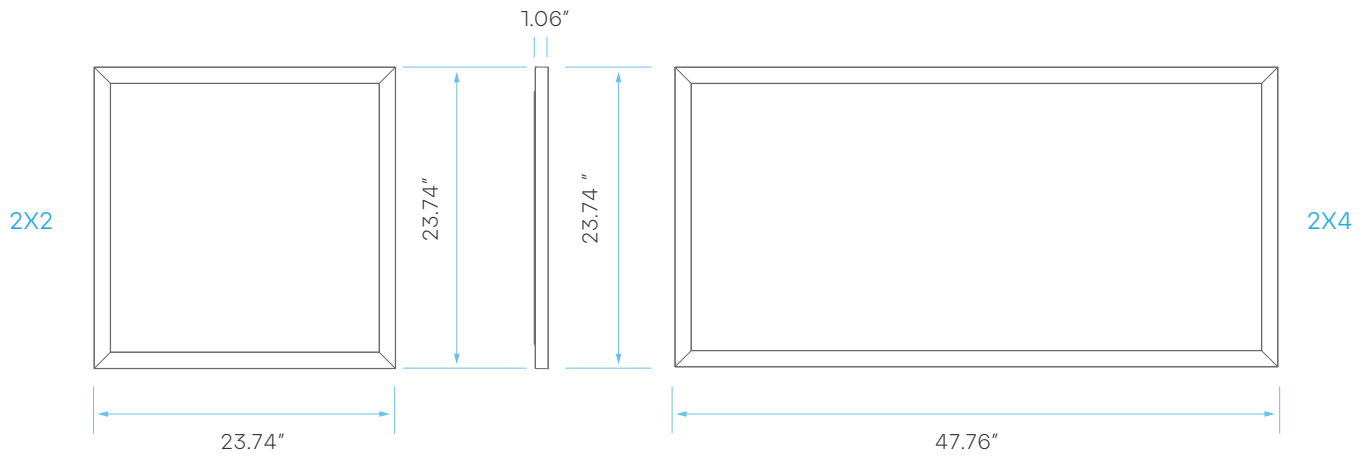
0-10V



1X4

11.93"





ELECTRICAL

	MODEL	DESCRIPTION	POWER	INPUT VOLTS	EFFICACY	LIFETIME	COST/YR
2x2	LR24015	LED40W2X2PNL/3CCT/SM	40	120-277V	100	50,000	\$ 4.81
1x4	LR24017	LED40W1X4PNL/3CCT/SM	40	120-277V	100	50,000	\$ 4.81
2x4	LR24020	LED50W2X4PNL/3CCT/SM	50	120-277V	100	50,000	\$ 6.02

PHOTOMETRIC

MODEL	DESCRIPTION	COLOR (CCT)	TEMP	LUMEN	CRI	UL LISTED	DLC LISTED
LR24015	LED40W2X2PNL/3CCT/SM	3000K/4000K/5000K	CCT SELECT	4000	80	YES	YES
LR24017	LED40W1X4PNL/3CCT/SM	3000K/4000K/5000K	CCT SELECT	4000	80	YES	YES
LR24020	LED50W2X4PNL/3CCT/SM	3000K/4000K/5000K	CCT SELECT	5000	80	YES	YES