

## LED SURFACE MOUNT SLIM PANEL - CCT & WATTAGE SELECTABLE

1X1, 1X2, 2X2, 1X4



1X1 LR24010

12W | 16W | 20W



1X2 LR24011

18W | 24W | 30W



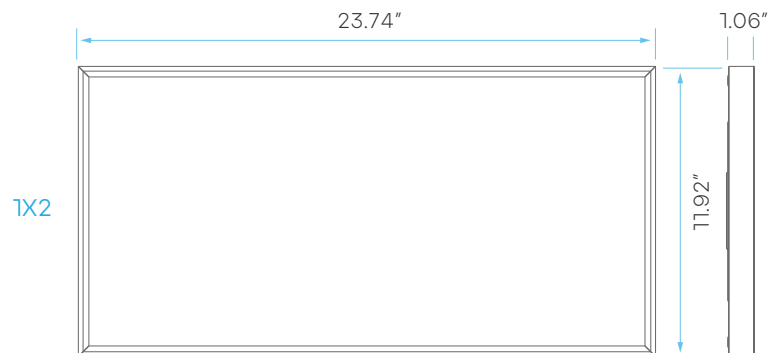
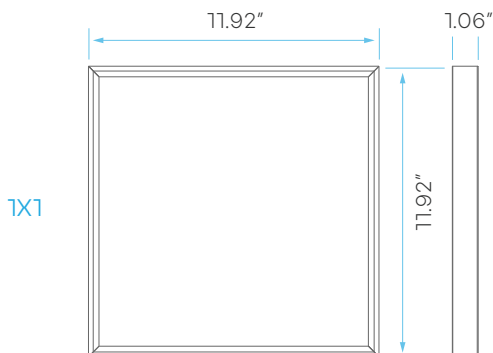
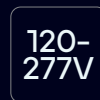
2X2 LR24012

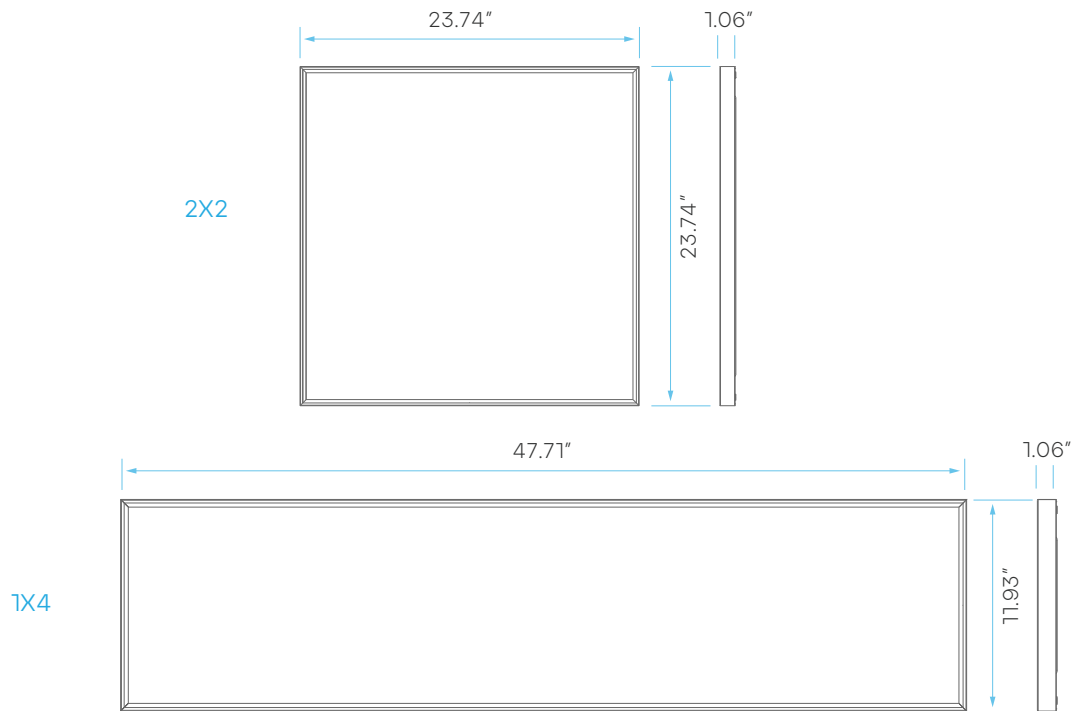
30W | 40W | 50W



1X4 LR24013

30W | 40W | 50W





## ELECTRICAL

	MODEL	DESCRIPTION	POWER	LUMEN	INPUT VOLTS	EFFICACY	LIFETIME	COST/YR
1x1	LR24010	LED1X1SPNL/3WO/5CCT	12	1400	120-277V	110	50,000	\$ 2.40
			16	1800				
			20	2200				
1X2	LR24011	LED1X2SPNL/3WO/5CCT	18	2000	120-277V	110	50,000	\$ 3.61
			24	2650				
			30	3300				
2X2	LR24012	LED2X2SPNL/3WO/5CCT	30	3300	120-277V	110	50,000	\$ 6.02
			40	4400				
			50	5500				
1X4	LR24013	LED1X4SPNL/3WO/5CCT	30	3300	120-277V	110	50,000	\$ 6.02
			40	4400				
			50	5500				

## PHOTOMETRIC

MODEL	DESCRIPTION	COLOR (CCT)	TEMP	FLOOD*	CRI	ETL
LR24010	LED1X1SPNL/3WO/5CCT	2700K/3000K/3500K/4000K/5000K	CCT SELECTABLE	120°	80	YES
LR24011	LED1X2SPNL/3WO/5CCT	2700K/3000K/3500K/4000K/5000K	CCT SELECTABLE	120°	80	YES
LR24012	LED2X2SPNL/3WO/5CCT	2700K/3000K/3500K/4000K/5000K	CCT SELECTABLE	120°	80	YES
LR24013	LED1X4SPNL/3WO/5CCT	2700K/3000K/3500K/4000K/5000K	CCT SELECTABLE	120°	80	YES