

LED CANLESS SPOTLIGHT

COMMERCIAL DOWNLIGHT - CCT & WATTAGE SELECTABLE

UNIVERSAL VOLTAGE/DUAL DIMMING

6", 8", 10"



6"

LR23971

10W | 17W | 21W



8"

LR23972

16W | 24W | 30W



10"

LR23973

24W | 30W | 37W



COLOR SELECTABLE

2700K | 3000K | 3500K | 4000K | 5000K

WATTAGE SELECTABLE

3 OPTIONS

HIGH OUTPUT

DUAL DIMMING

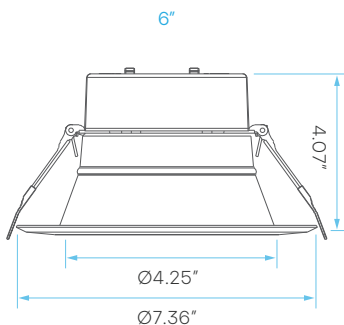
TRIAC 0-10V

IC RATED

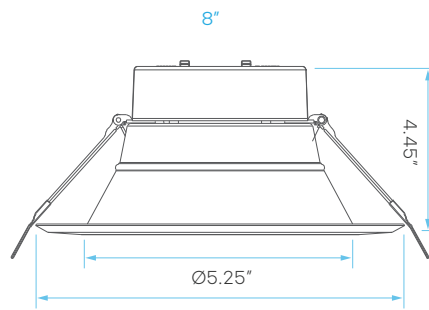
WET LOCATION RATED

120-277V

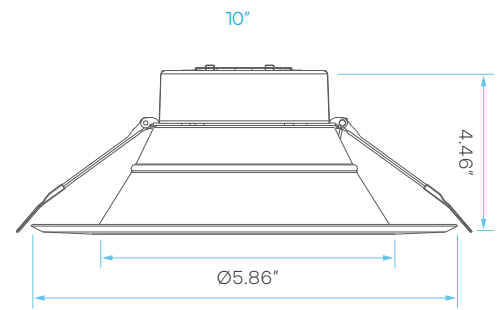
5 YEAR WARRANTY



CUTOUT: Ø 5.51"



CUTOUT: Ø 7.28"



CUTOUT: Ø 8.07"

ELECTRICAL

MODEL	DESCRIPTION	POWER	LUMENS	EFFICACY	INPUT VOLTS	DIMMABLE	LIFETIME	COST/YR
6"	LR23971 LED/CDL6HO/3WO/5CCT/JB/UNV/DD	10	1000	119	120-277V	TRIAC/0-10V	50,000	\$ 2.52
		17	1800					
		21	2500					
8"	LR23972 LED/CDL8HO/3WO/5CCT/JB/UNV/DD	16	1800	117	120-277V	TRIAC/0-10V	50,000	\$ 3.61
		24	2700					
		30	3500					
10"	LR23973 LED/CDL10HO/3WO/5CCT/JB/UNV/DD	24	2800	122	120-277V	TRIAC/0-10V	50,000	\$ 4.45
		30	3500					
		37	4500					

PHOTOMETRIC

MODEL	DESCRIPTION	COLOR (CCT)	TEMP	FLOOD*	CRI	UL LISTED	ENERGY STAR
LR23971	LED/CDL6HO/3WO/5CCT/JB/UNV/DD	2700K/3000K/3500K/4000K/5000K	CCT SELECT	80°	90	YES	YES
LR23972	LED/CDL8HO/3WO/5CCT/JB/UNV/DD	2700K/3000K/3500K/4000K/5000K	CCT SELECT	80°	90	YES	YES
LR23973	LED/CDL10HO/3WO/5CCT/JB/UNV/DD	2700K/3000K/3500K/4000K/5000K	CCT SELECT	80°	90	YES	YES

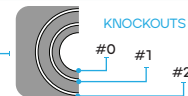
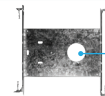
COMPATIBLE WITH:

LR35124
Emergency LED Driver



LR23971 COMPATIBLE CUTOUT #2

LR41002
New Construction Mounting Plate



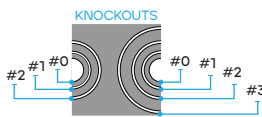
KNOCKOUT SIZE	
#0	Ø3.14" (Ø80 mm)
#1	Ø4.33" (Ø110 mm)
#2	Ø6.29" (Ø160 mm)

LR23971 COMPATIBLE CUTOUT R3

LR41010
New Construction Mounting Plate



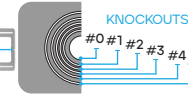
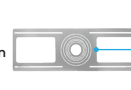
KNOCKOUT SIZE	
#L0	Ø2.12" (Ø54 mm)
#L1	Ø2.83" (Ø72 mm)
#L2	Ø3.75" (Ø95 mm)



KNOCKOUT SIZE	
#R0	Ø3.25" (Ø82 mm)
#R1	Ø4.33" (Ø110 mm)
#R2	Ø5.25" (Ø132 mm)
#R3	Ø6.25" (Ø160 mm)

LR23971 COMPATIBLE CUTOUT #5

LR41006
New Construction Mounting Plate



KNOCKOUT SIZE	
#0	Ø2.12" (Ø54 mm)
#1	Ø3.15" (Ø80 mm)
#2	Ø3.75" (Ø95 mm)
#3	Ø4.25" (Ø108 mm)
#4	Ø5.25" (Ø132 mm)
#5	Ø6.25" (Ø159 mm)