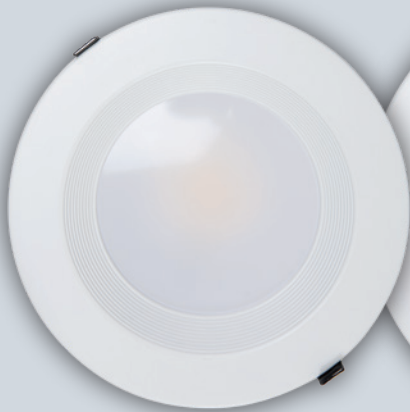


LED CANLESS COMMERCIAL DOWNLIGHT 6", 8", 10"



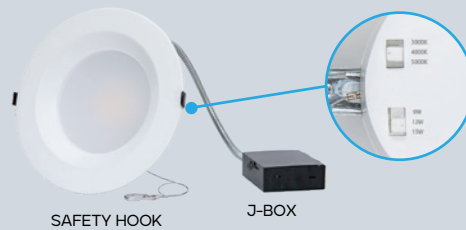
6" 9W 12W 15W



8" 12W 16W 20W



10" 22W 29W 37.5W



CCT & WATTAGE
SELECT SWITCHES
ON THE BACK

SAFETY HOOK

J-BOX

CRI
80

COLOR SELECTABLE

3000K 4000K 5000K

WATTAGE
SELECTABLE

3 OPTIONS

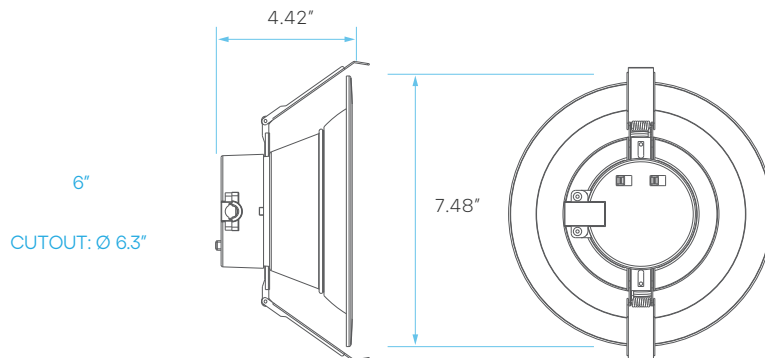
DIMMABLE

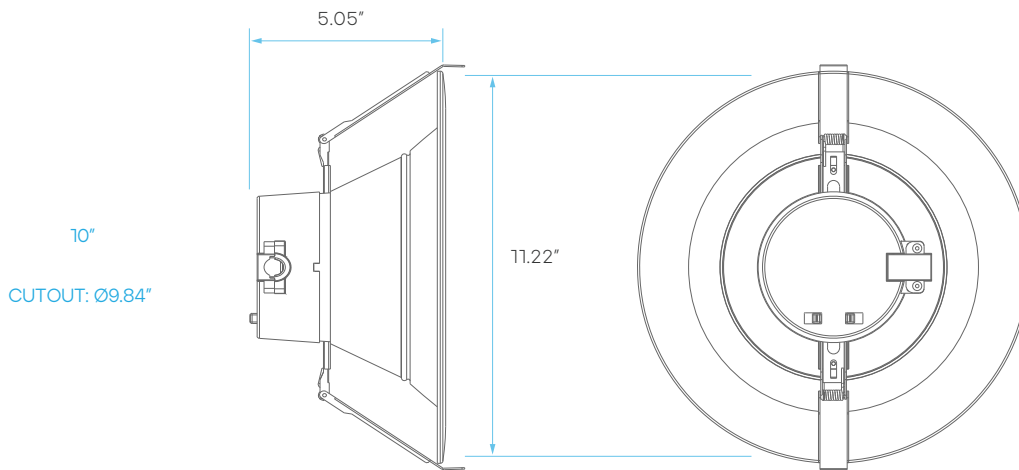
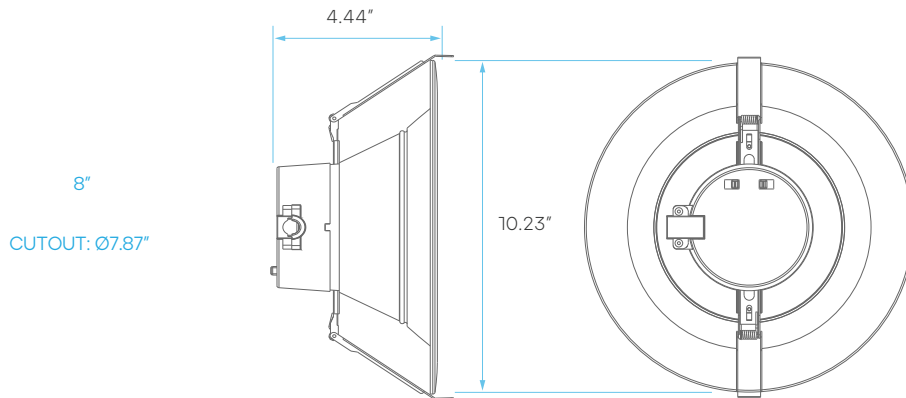
0-10V

IC
RATED

WET
LOCATION
RATED

5
YEAR
WARRANTY





ELECTRICAL

	MODEL	DESCRIPTION	POWER	INPUT VOLTS	EFFICACY	LIFETIME	COST/YR
6"	LR23950	LED/CDL6/3WO/3CCT/B/JB	9	120-277V	83	50,000	\$ 1.81
			12				
			15				
8"	LR23958	LED/CDL8/3WO/3CCT/B/JB	12	120-277V	83	50,000	\$ 2.41
			16				
			20				
10"	LR23960	LED/CDL10/3WO/3CCT/B/JB	22	120-277V	83	50,000	\$ 3.49
			29				
			37.5				

PHOTOMETRIC

MODEL	DESCRIPTION	COLOR (CCT)	TEMP	LUMEN	CRI	UL	ENERGY STAR	PLATE (KNOCKOUT)
LR23950	LED/CDL6/3WO/3CCT/B/JB	3000K	CCT SELECT	750 - 9W	80	YES	YES	LR41002 (#2)
		4000K		1125 - 12W				
		5000K		1500 - 15W				
LR23958	LED/CDL8/3WO/3CCT/B/JB	3000K	CCT SELECT	1000 - 12W	80	YES	YES	
		4000K		1500 - 16W				
		5000K		2000 - 20W				
LR23960	LED/CDL10/3WO/3CCT/B/JB	3000K	CCT SELECT	2300 - 22W	80	YES	YES	
		4000K		3000 - 29W				
		5000K		3700 - 37.5W				

COMPATIBLE WITH:

LR35126

Emergency LED Driver



LR41002

New Construction Mounting Plate



KNOCKOUTS

KNOCKOUT SIZE

#0 Ø3.14" (Ø80 mm)

#1 Ø4.33" (Ø110 mm)

#2 Ø6.29" (Ø160 mm)