

## LED CANLESS COMMERCIAL DOWNLIGHT

4", 6", 8" - HIGH OUTPUT



4" 9W 12W 15W



6" 12W 16W 20W



8" 16W 21W 27W



CRI  
80

COLOR SELECTABLE  
3000K 4000K 5000K

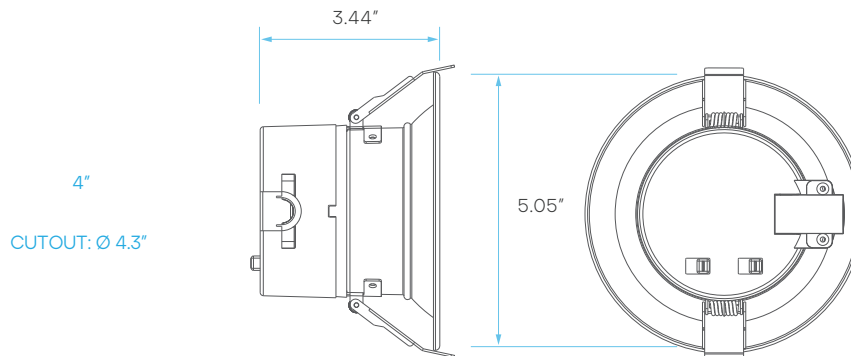
WATTAGE  
SELECTABLE  
3 OPTIONS

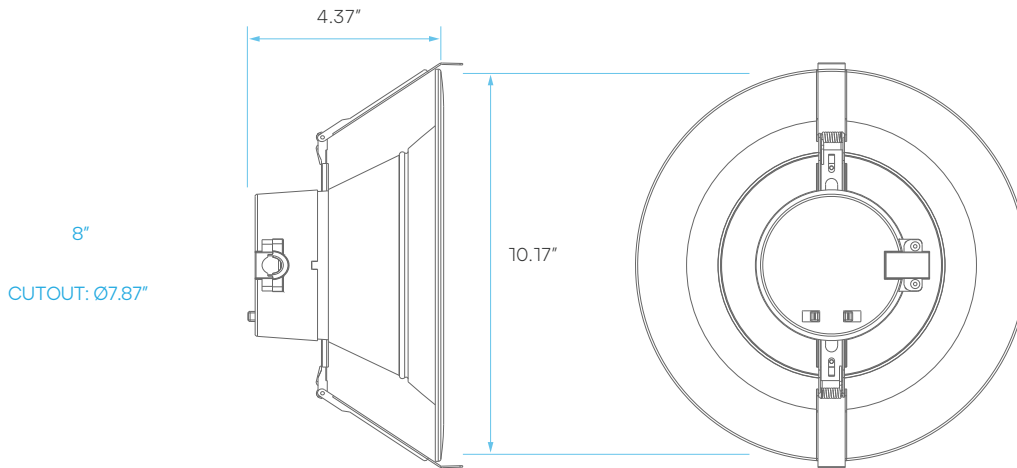
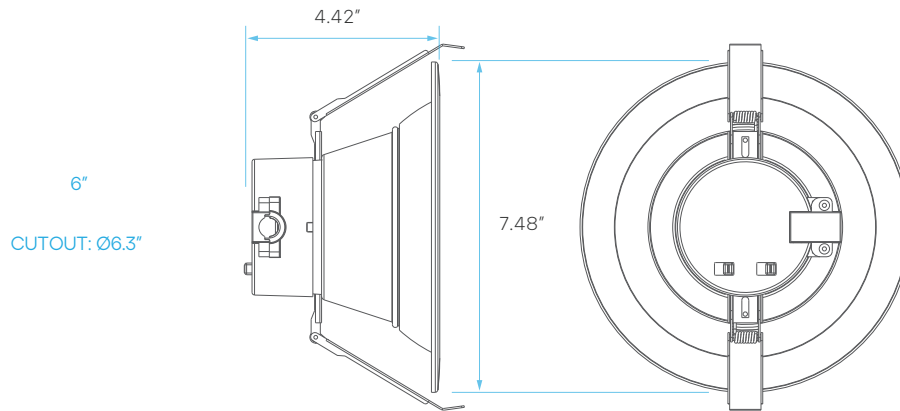
DIMMABLE  
0-10V

IC  
RATED

WET  
LOCATION  
RATED

3  
YEAR  
WARRANTY





## ELECTRICAL

|    | MODEL   | DESCRIPTION              | POWER | INPUT VOLTS | EFFICACY | LIFETIME | COST/YR |
|----|---------|--------------------------|-------|-------------|----------|----------|---------|
| 4" | LR23948 | LED/CDL4HO/3WO/3CCT/B/JB | 9     | 120-277V    | 90       | 50,000   | \$ 1.80 |
|    |         |                          | 12    |             |          |          |         |
|    |         |                          | 15    |             |          |          |         |
| 6" | LR23951 | LED/CDL6HO/3WO/3CCT/B/JB | 12    | 120-277V    | 90       | 50,000   | \$ 2.40 |
|    |         |                          | 16    |             |          |          |         |
|    |         |                          | 20    |             |          |          |         |
| 8" | LR23959 | LED/CDL8HO/3WO/3CCT/B/JB | 16    | 120-277V    | 90       | 50,000   | \$ 3.25 |
|    |         |                          | 21    |             |          |          |         |
|    |         |                          | 27    |             |          |          |         |

## PHOTOMETRIC

| MODEL   | DESCRIPTION              | COLOR (CCT) | TEMP       | LUMEN      | CRI | UL  | ENERGY STAR | PLATE (KNOCKOUT) |
|---------|--------------------------|-------------|------------|------------|-----|-----|-------------|------------------|
| LR23948 | LED/CDL4HO/3WO/3CCT/B/JB | 3000K       | CCT SELECT | 810 - 9W   | 80  | YES | YES         | LR41002 (#1)     |
|         |                          | 4000K       |            | 1080 - 12W |     |     |             |                  |
|         |                          | 5000K       |            | 1350 - 15W |     |     |             |                  |
| LR23951 | LED/CDL6HO/3WO/3CCT/B/JB | 3000K       | CCT SELECT | 1140 - 12W | 80  | YES | YES         | LR41002 (#2)     |
|         |                          | 4000K       |            | 1520 - 16W |     |     |             |                  |
|         |                          | 5000K       |            | 1900 - 20W |     |     |             |                  |
| LR23959 | LED/CDL8HO/3WO/3CCT/B/JB | 3000K       | CCT SELECT | 1600 - 16W | 80  | YES | YES         |                  |
|         |                          | 4000K       |            | 2100 - 21W |     |     |             |                  |
|         |                          | 5000K       |            | 2700 - 27W |     |     |             |                  |

COMPATIBLE WITH:

**LR35126**

Emergency LED Driver



**LR41002**  
New Construction Mounting Plate



KNOCKOUTS

KNOCKOUT SIZE

#0 Ø3.14" (Ø80 mm)  
#1 Ø4.33" (Ø110 mm)  
#2 Ø6.29" (Ø160 mm)