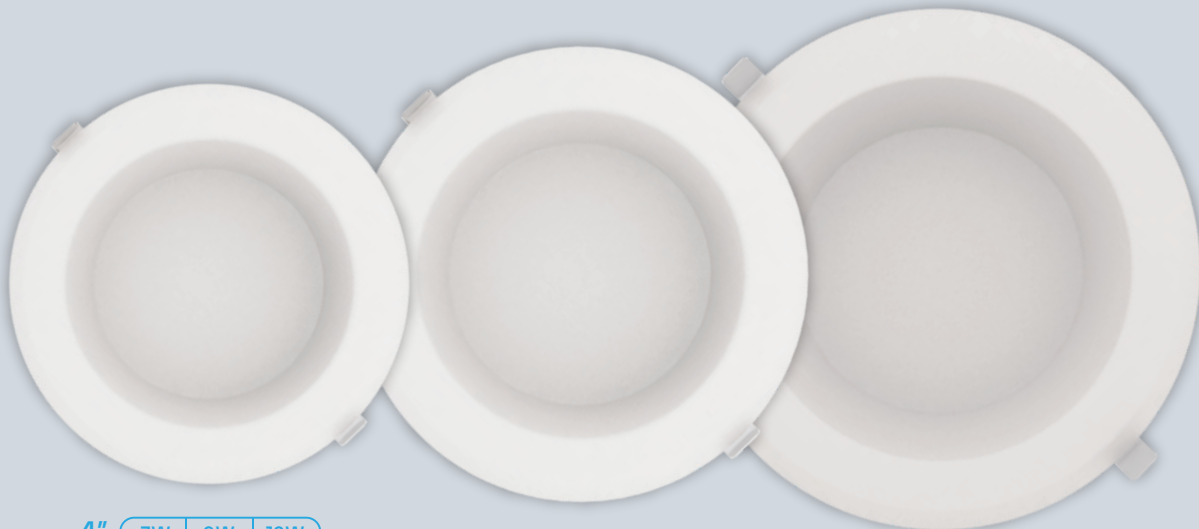


LED CANLESS COMMERCIAL DOWNLIGHT

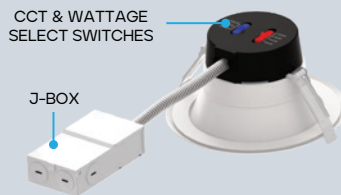
4", 6", 8" - HIGH OUTPUT



4" 7W 9W 12W

6" 14W 19W 23W

8" 25W 29W 33W



CRI 80

COLOR SELECTABLE

3000K 3500K 4000K 5000K

WATTAGE SELECTABLE

3 OPTIONS

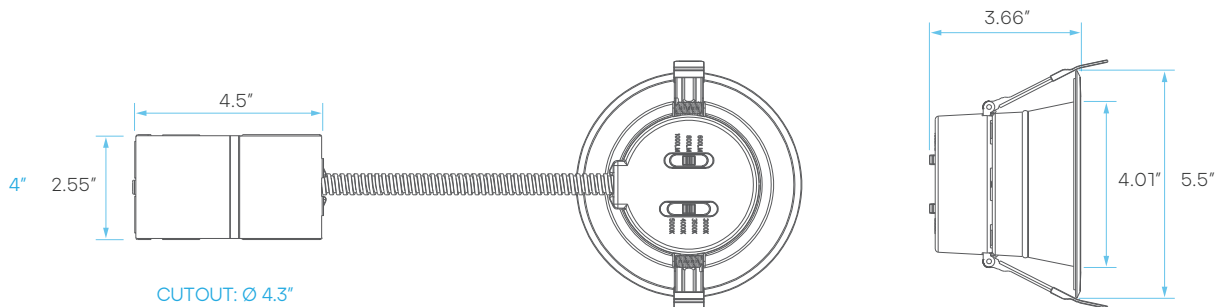
AIR TIGHT

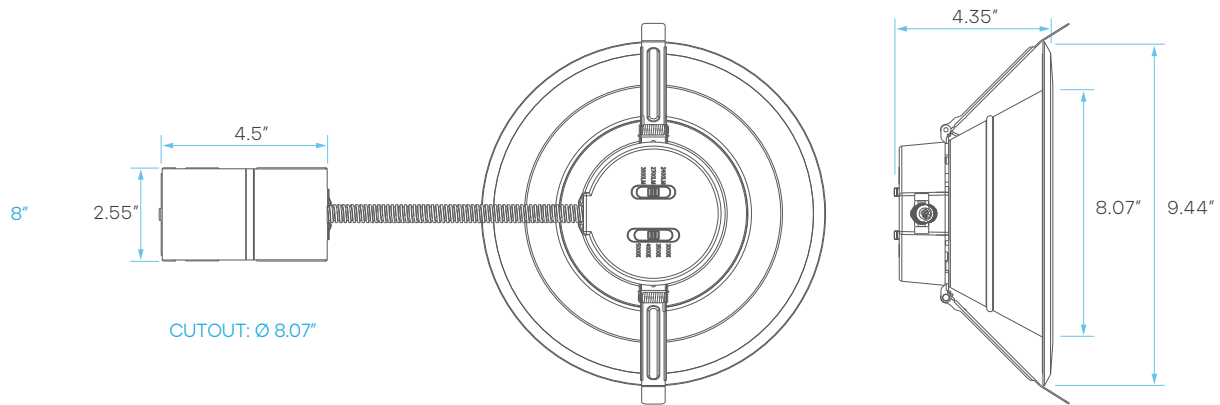
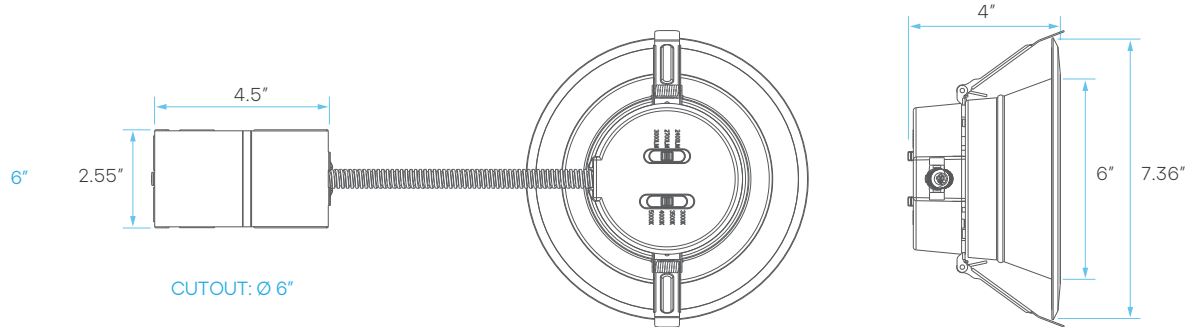
DIMMABLE

IC RATED

WET LOCATION RATED

5 YEAR WARRANTY





ELECTRICAL

MODEL	DESCRIPTION	POWER	INPUT VOLTS	EFFICACY	LIFETIME	COST/YR	IC RATED
4"	LR23947	LED/CDL4HO/3WO/4CCT/JB	7	120-277V	83	50,000	YES
			9				
			12				
6"	LR23952	LED/CDL5-6HO/3WO/4CCT/JB	14	120-277V	85	50,000	\$ 2.77
			19				
			23				
8"	LR23954	LED/CDL8HO/3WO/4CCT/JB	25	120-277V	85	50,000	\$ 4.22
			29				
			33				

PHOTOMETRIC

MODEL	DESCRIPTION	COLOR (CCT)	TEMP	LUMEN	CRI	ETL	ENERGY STAR	PLATE (KNOCKOUT)
LR23947	LED/CDL4HO/3WO/4CCT/JB	3000K/3500K/4000K/5000K	CCT SELECT	600 - 7W	80	YES	YES	LR41002 (#1)
				800 - 9W				
LR23952	LED/CDL5-6HO/3WO/4CCT/JB	3000K/3500K/4000K/5000K	CCT SELECT	1000 - 12W	80	YES	YES	LR41002 (#2)
				1200 - 14W				
				1600 - 19W				
				2000 - 23W				
LR23954	LED/CDL8HO/3WO/4CCT/JB	3000K/3500K/4000K/5000K	CCT SELECT	2400 - 25W	80	YES	YES	
				2700 - 29W				
				3000 - 33W				

COMPATIBLE WITH:

LR35126
Emergency LED Driver



LR41002
New Construction Mounting Plate



KNOCKOUTS

KNOCKOUT SIZE

#0 Ø3.14" (Ø80 mm)
#1 Ø4.33" (Ø110 mm)
#2 Ø6.29" (Ø160 mm)