

LED SURFACE MOUNT DISK LIGHT + RECESSED CAN RETROFIT 4", 6", 8"



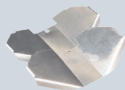
4"

6"

RETROFIT KIT INCLUDED



E26 ADAPTER



BUTTERFLY CLIP



4" MOUNTING BRACKET

RETROFIT KIT INCLUDED



E26 ADAPTER



6" CAN ADAPTER

CRI
80

COLOR SELECTABLE

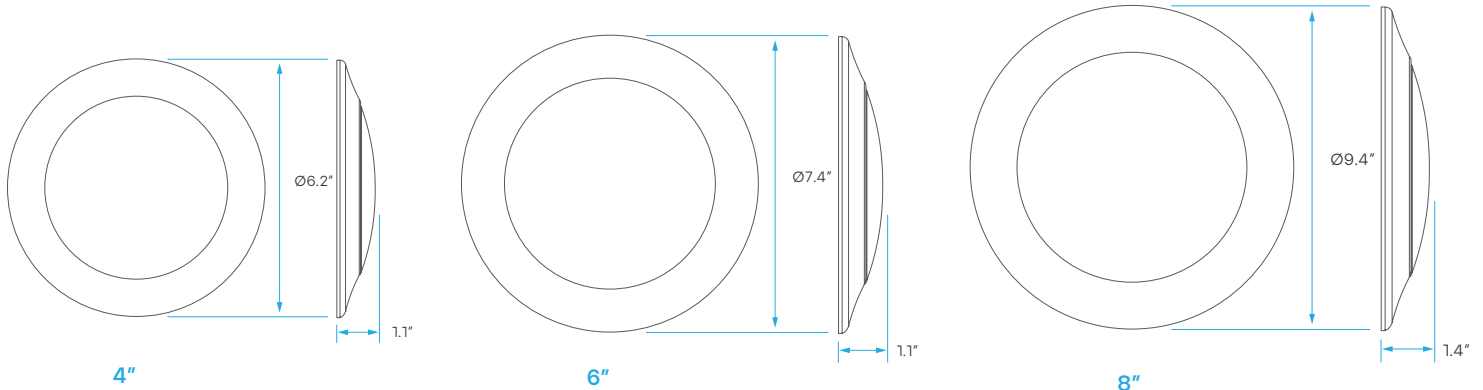
2700K 3000K 3500K 4000K 5000K

DIMMABLE

TRIAC

WET
LOCATION
RATED

3
YEAR
WARRANTY



4"

6"

8"

ELECTRICAL

	MODEL	DESCRIPTION	POWER	INPUT VOLTS	EFFICACY	LIFETIME	COST/YR
4"	LR23861	LED10/DISK4/5CCT/RD	10	120V	60	50,000	\$ 1.20
6"	LR23863	LED15/DISK6/5CCT/RD	15	120V	67	50,000	\$ 1.81
8"	LR23865	LED27/DISK8/5CCT/RD	27	120V	74	50,000	\$ 3.25

PHOTOMETRIC

MODEL	DESCRIPTION	COLOR (CCT)	TEMP	LUMEN	FLOOD	CRI	ETL	ENERGY STAR
LR23861	LED10/DISK4/5CCT/RD	2700K/3000K/3500K/4000K/5000K	CCT SELECT	600	110°	80	YES	YES
LR23863	LED15/DISK6/5CCT/RD	2700K/3000K/3500K/4000K/5000K	CCT SELECT	1000	110°	80	YES	YES
LR23865	LED27/DISK8/5CCT/RD	2700K/3000K/3500K/4000K/5000K	CCT SELECT	2000	110°	80	YES	YES