

LED SURFACE MOUNT DISK LIGHT 4", 6"



4"



3 CCT SWITCH
ON THE BACK

6"



CRI
90

COLOR SELECTABLE

3000K 4000K 5000K

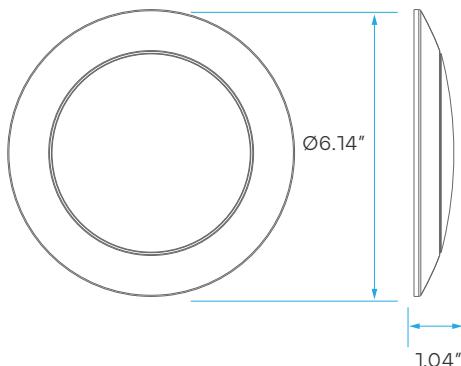
DIMMABLE

TRIAC

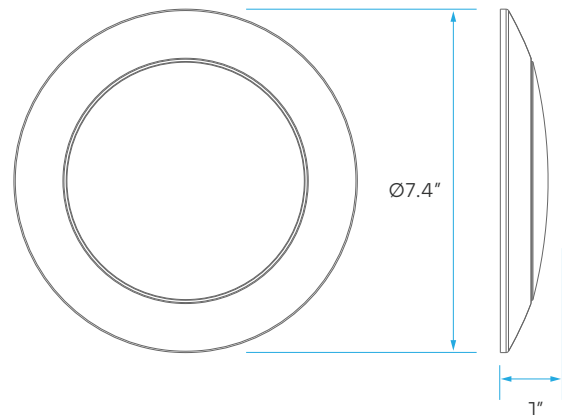
WET
LOCATION
RATED

5
YEAR
WARRANTY

4"



6"



ELECTRICAL

	MODEL	DESCRIPTION	POWER	INPUT VOLTS	EFFICACY	LIFETIME	COST/YR
4"	LR23845	LED10/DISK4/3CCT/D	10	120V	60	50,000	\$ 1.20
6"	LR23847	LED15/DISK6/3CCT/D	15	120V	67	50,000	\$ 1.81

PHOTOMETRIC

MODEL	DESCRIPTION	COLOR (CCT)	TEMP	LUMEN	FLOOD	CRI	ETL	ENERGY STAR
LR23845	LED10/DISK4/3CCT/D	3000K/4000K/5000K	CCT SELECT	600	90°	90	YES	YES
LR23847	LED15/DISK6/3CCT/D	3000K/4000K/5000K	CCT SELECT	1000	90°	90	YES	YES