

4", 6" LED DISK LIGHT - 3 CCT SELECTABLE LR23845, LR23847

IMPORTANT

READ CAREFULLY BEFORE INSTALLING FIXTURE. KEEP THESE INSTRUCTIONS FOR FUTURE REFERENCE.

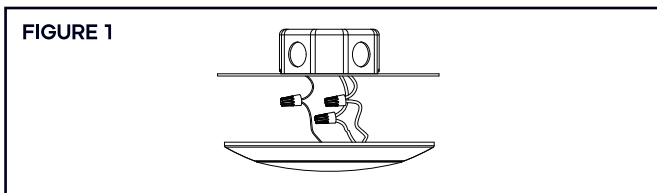
WARNINGS

- RISK OF ELECTRIC SHOCK - DISCONNECT POWER AT FUSE OR CIRCUIT BREAKER BEFORE INSTALLING OR SERVICING.
- TO PREVENT EARLY LAMP FAILURE, LAMP SHOULD ONLY BE INSTALLED IN OPERATING ENVIRONMENTS RANGING BETWEEN -20° C AND + 40° C (-4° F AND 104° F)
- NO USER SERVICEABLE PARTS INSIDE, TO AVOID ELECTRICAL SHOCK DO NOT DISASSEMBLE PRODUCT.
- RISK OF FIRE OR ELECTRIC SHOCK - LED RETROFIT KIT INSTALLATION REQUIRES KNOWLEDGE OF LUMINAIRE ELECTRICAL SYSTEMS. IF NOT QUALIFIED, DO NOT ATTEMPT INSTALLATION. CONTACT A QUALIFIED ELECTRICIAN.
- RISK OF FIRE OR ELECTRIC SHOCK - INSTALL THIS KIT ONLY IN LUMINAIRE THAT HAVE THE CONSTRUCTION FEATURES AND MIN DIMENSIONS SHOWN ON FIGURE 1, AND WHERE THE INPUT RATING OF THE RETROFIT KIT DOES NOT EXCEED THE INPUT RATING OF THE LUMINAIRE.
- DO NOT MAKE OR ALTER ANY OPEN HOLES IN AN ENCLOSURE OF WIRING OR ELECTRICAL COMPONENTS DURING KIT INSTALLATION.
- TO PREVENT WIRING DAMAGE OR ABRASION, DO NOT EXPOSE WIRING TO EDGES OF SHEET METAL OR OTHER SHARP OBJECTS.
- INSTALLERS SHOULD NOT DISCONNECT EXISTING WIRES FROM LAMPHOLDER TERMINALS TO MAKE NEW CONNECTIONS AT LAMPHOLDER TERMINALS. INSTEAD, INSTALLERS SHOULD CUT EXISTING LAMPHOLDER LEADS AWAY FROM THE LAMPHOLDER AND MAKE NEW ELECTRICAL CONNECTIONS TO LAMPHOLDER LEAD WIRES BY EMPLOYING APPLICABLE CONNECTORS.
- THIS RETROFIT KIT IS ACCEPTED AS A COMPONENT OF A LUMINAIRE WHERE THE SUSTAINABILITY OF THE COMBINATION SHALL BE DETERMINED BY AUTHORITIES HAVING JURISDICTION.
- THIS DEVICE IS NOT INTENDED FOR USE WITH EMERGENCY EXITS.
- THIS RETROFIT KITS SUITABLE FOR WET LOCATIONS LUMINAIRE SPECIFIED AS BELOW: TYPE NON IC; TYPE IC; COVERED CEILING; UNCOVERED CEILING.

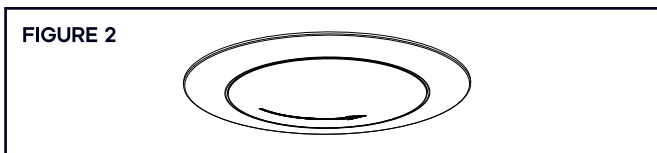
INSTALLATION INSTRUCTIONS

1. CONNECT THE LUMINAIRE TO SUPPLY WIRES WITH THE WIRE NUTS (INCLUDED)

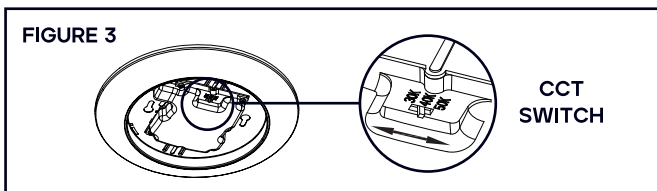
FIGURE 1



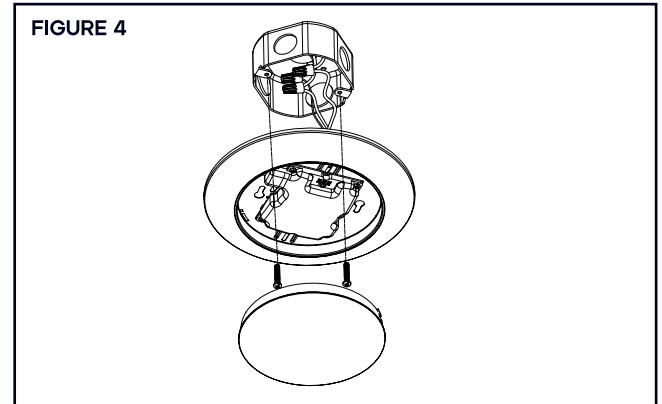
2. REMOVE LENS BY TURNING COUNTER CLOCKWISE TO UNLOCK FIGURE 2



3. SELECT DESIRED CCT. FIGURE 3



4. SAFELY PLACE ALL WIRES INTO THE JUNCTION BOX, MOUNT LUMINAIRE TO THE JUNCTION BOX AND SCREWS THROUGH THE KEYHOLE SLOTS. FIGURE 4



5. REPLACE LENS AND TWIST CLOCKWISE TO LOCK. FIGURE 5

