

LED SURFACE MOUNT DISK LIGHT + PIR SENSOR 4", 6"



BUILT IN
PIR SENSOR



3 CCT SWITCH
ON THE BACK

**CRI
80**

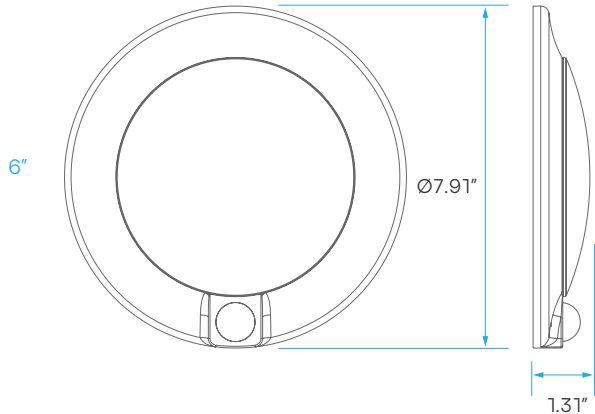
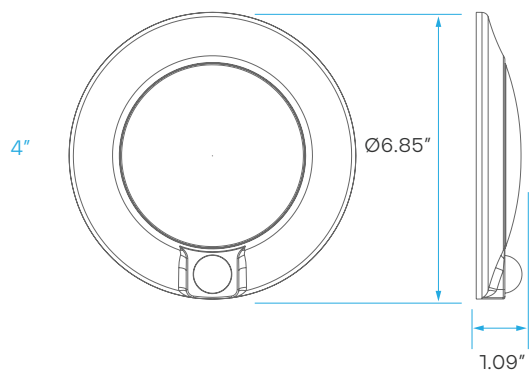
COLOR SELECTABLE
3000K 4000K 5000K

**30 SEC
SHUTOFF
TIME**

**PIR
SENSOR**

**WET
LOCATION
RATED**

**3
YEAR
WARRANTY**



ELECTRICAL

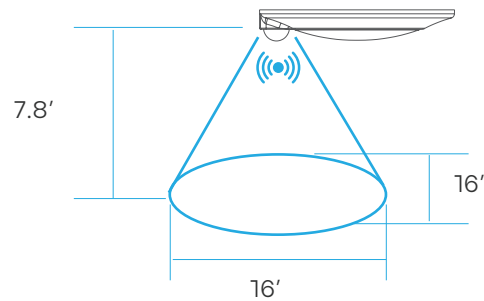
	MODEL	DESCRIPTION	POWER	INPUT VOLTS	EFFICACY	LIFETIME	COST/YR
4"	LR23832	LED10/DISK4/PIR/3CCT/RD	10	120V	60	50,000	\$ 1.20
6"	LR23834	LED15/DISK6/PIR/3CCT/RD	15	120V	67	50,000	\$ 1.81

PHOTOMETRIC

MODEL	DESCRIPTION	COLOR (CCT)	TEMP	LUMEN	FLOOD	CRI	PIR DETECTION RANGE	SHUTOFF TIME	ETL
LR23832	LED10/DISK4/PIR/3CCT/RD	3000K/4000K/5000K	CCT SELECT	600	120°	80	65°	30 SEC	YES
LR23834	LED15/DISK6/PIR/3CCT/RD	3000K/4000K/5000K	CCT SELECT	1000	120°	80	65°	30 SEC	YES

PIR SENSOR DETECTION RANGE

CEILING MOUNT DETECTION RANGE



WALL MOUNT DETECTION RANGE

