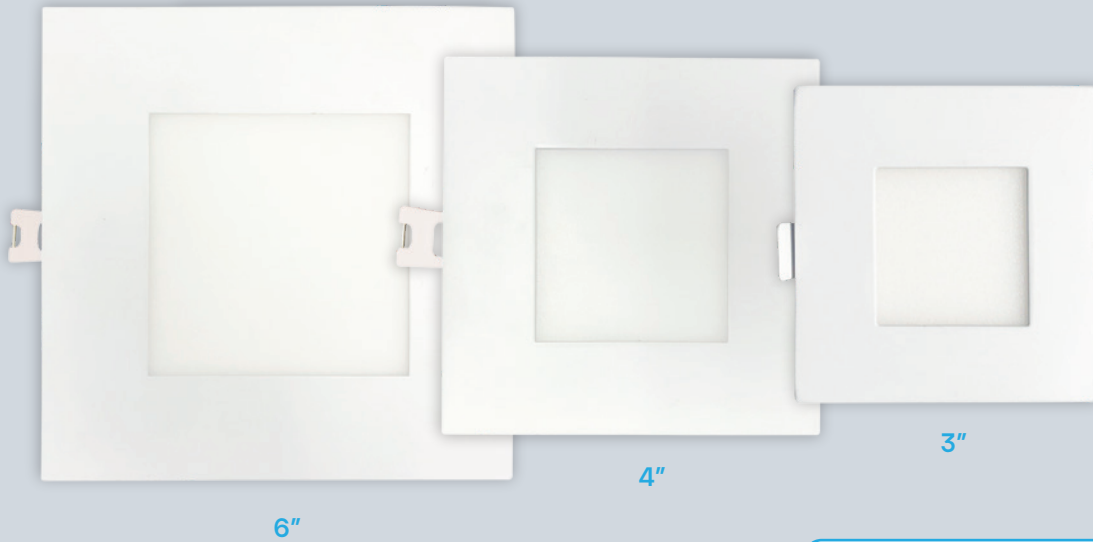


LED SPOTLIGHT-CANLESS MINI PANEL - CCT SELECT

3", 4", 6"



5 CCT SWITCH ON DRIVER



ROUND BACK

**CRI
80**

COLOR SELECTABLE

2700K 3000K 3500K 4000K 5000K

DIMMABLE

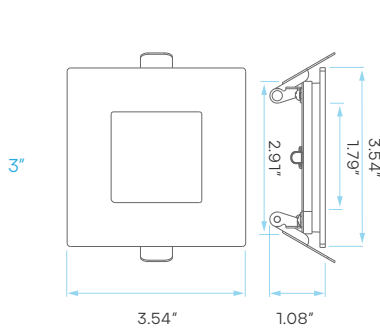
TRIAC

**IC
RATED**

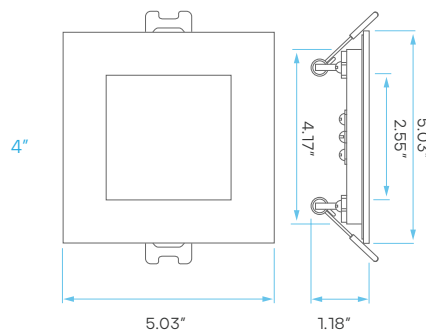
**AIR
TIGHT**

**WET
LOCATION
RATED**

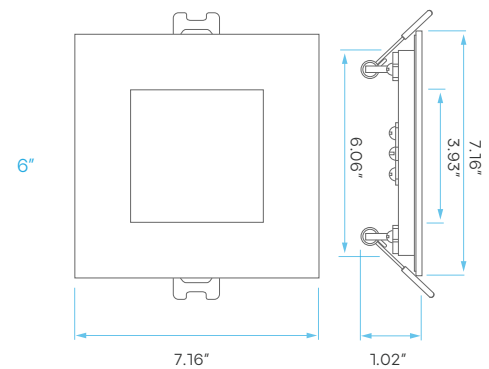
**5
YEAR
WARRANTY**



CUTOUT: Ø 3.07"



CUTOUT: Ø 4.25"



CUTOUT: Ø 6.3"

ELECTRICAL

MODEL	DESCRIPTION	POWER	INPUT VOLTS	LUMEN EFFICACY	LIFETIME	COST/YR
3" LR23754	LED/MINI3/PANEL/5CCT/SQ2	8	120V	68	50,000	\$ 0.96
4" LR23759	LED/MINI4/PANEL/5CCT/SQ2	10	120V	70	50,000	\$ 1.20
6" LR23764	LED/MINI6/PANEL/5CCT/SQ2	12	120V	83	50,000	\$ 1.45

PHOTOMETRIC

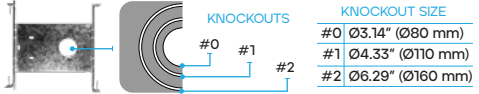
MODEL	DESCRIPTION	COLOR (CCT)	TEMP	LUMEN	CRI	ETL	ENERGY STAR	PLATE (KNOCKOUT)
LR23754	LED/MINI3/PANEL/5CCT/SQ2	2700K/3000K/3500K/4000K/5000K	CCT SELECT	540	80	YES	YES	LR41002 (#0)
LR23759	LED/MINI4/PANEL/5CCT/SQ2	2700K/3000K/3500K/4000K/5000K	CCT SELECT	750	80	YES	YES	LR41002 (#1)
LR23764	LED/MINI6/PANEL/5CCT/SQ2	2700K/3000K/3500K/4000K/5000K	CCT SELECT	1000	80	YES	YES	LR41002 (#2)

COMPATIBLE WITH:

LR35123
EM LED Driver

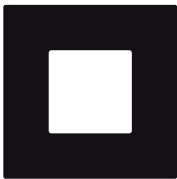


LR41002
New Construction Mounting Plate

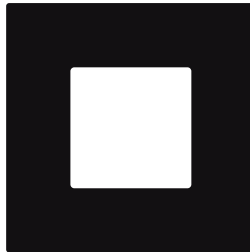


TRIM REPLACEMENT

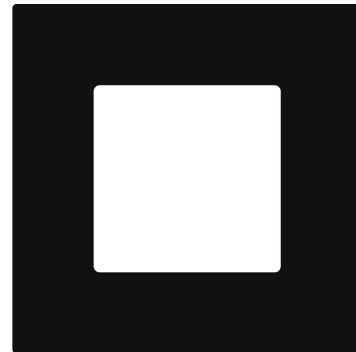
3"



4"



6"



MODEL	DESCRIPTION	TYPE	FINISH
3" LR23855	LED/MINI3/5CCT/SQ/TRIM/BK	3" SQUARE TRIM REPLACEMENT	BLACK
4" LR23773	LED/MINI4/5CCT/SQ/TRIM/BK	4" SQUARE TRIM REPLACEMENT	BLACK
6" LR23779	LED/MINI6/5CCT/SQ/TRIM/BN	6" SQUARE TRIM REPLACEMENT	BLACK

120-277V DRIVER

*SOLD SEPARATELY

MODEL	DESCRIPTION	POWER	INPUT	OUTPUT
10W LR23767	LED/MINI4/5CCT/UNV/DRIVER	10.5	120-277V	20-35DAC
12W LR23768	LED/MINI6/5CCT/UNV/DRIVER	12	120-277V	20-35DAC

