

LED SPOTLIGHT-CANLESS MINI PANEL - CCT SELECT

3", 4", 6", 8"



5 CCT SWITCH ON DRIVER

**CRI
80**

COLOR SELECTABLE

2700K 3000K 3500K 4000K 5000K

DIMMABLE

TRIAC

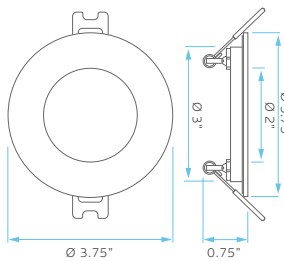
**IC
RATED**

**AIR
TIGHT**

**WET
LOCATION
RATED**

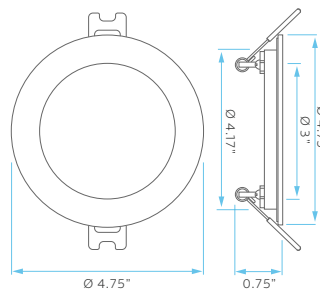
**5
YEAR
WARRANTY**

3"



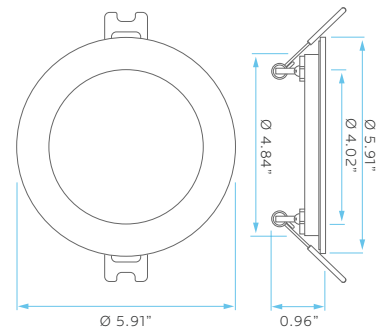
CUTOUT: Ø 3.25"

4"

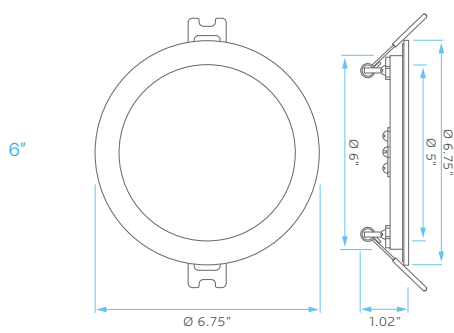


CUTOUT: Ø 4.25"

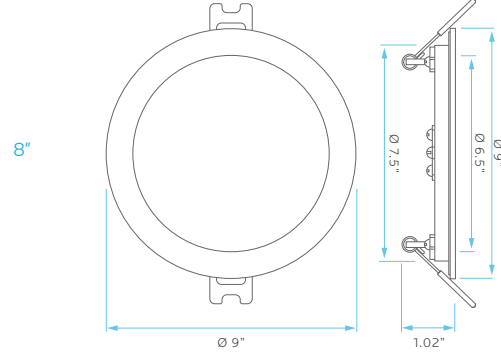
5"



CUTOUT: Ø 5.12"



CUTOUT: Ø 6.3"



CUTOUT: Ø 8.25"

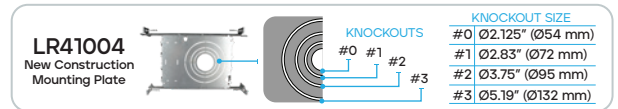
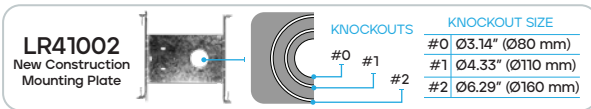
ELECTRICAL

| | MODEL | DESCRIPTION | POWER | INPUT VOLTS | LUMEN EFFICACY | LIFETIME | COST/YR |
|----|---------|--------------------------|-------|-------------|----------------|----------|---------|
| 3" | LR23751 | LED/MINI3/PANEL/5CCT/RD2 | 8 | 120V | 68 | 50,000 | \$ 0.96 |
| 4" | LR23756 | LED/MINI4/PANEL/5CCT/RD2 | 10 | 120V | 70 | 50,000 | \$ 1.20 |
| 5" | LR23749 | LED/MINI5/PANEL/5CCT/RD | 12 | 120V | 83 | 50,000 | \$ 1.44 |
| 6" | LR23761 | LED/MINI6/PANEL/5CCT/RD2 | 12 | 120V | 83 | 50,000 | \$ 1.45 |
| 8" | LR23765 | LED/MINI8/PANEL/5CCT/RD2 | 18 | 120V | 83 | 50,000 | \$ 2.17 |

PHOTOMETRIC

| MODEL | DESCRIPTION | COLOR (CCT) | TEMP | LUMEN | CRI | ETL | ENERGY STAR | PLATE (KNOCKOUT) |
|---------|--------------------------|-------------------------------|------------|-------|-----|-----|-------------|------------------|
| LR23751 | LED/MINI3/PANEL/5CCT/RD2 | 2700K/3000K/3500K/4000K/5000K | CCT SELECT | 540 | 80 | YES | YES | LR41002 (#0) |
| LR23756 | LED/MINI4/PANEL/5CCT/RD2 | 2700K/3000K/3500K/4000K/5000K | CCT SELECT | 750 | 80 | YES | YES | LR41002 (#1) |
| LR23749 | LED/MINI5/PANEL/5CCT/RD | 2700K/3000K/3500K/4000K/5000K | CCT SELECT | 1000 | 80 | YES | YES | LR41004 (#3) |
| LR23761 | LED/MINI6/PANEL/5CCT/RD2 | 2700K/3000K/3500K/4000K/5000K | CCT SELECT | 1000 | 80 | YES | YES | LR41002 (#2) |
| LR23765 | LED/MINI8/PANEL/5CCT/RD2 | 2700K/3000K/3500K/4000K/5000K | CCT SELECT | 1500 | 80 | YES | YES | |

COMPATIBLE WITH:



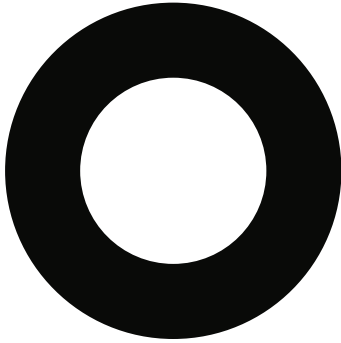
120-277V DRIVER

*SOLD SEPARATELY

| | MODEL | DESCRIPTION | POWER | INPUT | OUTPUT |
|-----|---------|---------------------------|-------|----------|----------|
| 10W | LR23767 | LED/MINI4/5CCT/UNV/DRIVER | 10.5 | 120-277V | 20-35DAC |
| 12W | LR23768 | LED/MINI6/5CCT/UNV/DRIVER | 12 | 120-277V | 20-35DAC |



TRIM REPLACEMENT



BLACK
3", 4" & 6"



**BRUSHED
NICKEL**
4" & 6"



**BRONZE
FINISH**
4" & 6"

| | MODEL | DESCRIPTION | TYPE | FINISH |
|----|---------|---------------------------|---------------------------|----------------|
| 3" | LR23850 | LED/MINI3/5CCT/RD/TRIM/BK | 3" ROUND TRIM REPLACEMENT | BLACK |
| | LR23770 | LED/MINI4/5CCT/RD/TRIM/BK | 4" ROUND TRIM REPLACEMENT | BLACK |
| 4" | LR23771 | LED/MINI4/5CCT/RD/TRIM/BN | 4" ROUND TRIM REPLACEMENT | BRUSHED NICKEL |
| | LR23772 | LED/MINI4/5CCT/RD/TRIM/BZ | 4" ROUND TRIM REPLACEMENT | BRONZE |
| | LR23776 | LED/MINI6/5CCT/RD/TRIM/BK | 6" ROUND TRIM REPLACEMENT | BLACK |
| 6" | LR23777 | LED/MINI6/5CCT/RD/TRIM/BN | 6" ROUND TRIM REPLACEMENT | BRUSHED NICKEL |
| | LR23778 | LED/MINI6/5CCT/RD/TRIM/BZ | 6" ROUND TRIM REPLACEMENT | BROZNE |