

3", 4" & 6" RECESSED MINI FLAT PANEL STEP BAFFLED TRIM - 3 CCT SELECTABLE

LR23738, LR23739, LR23740

WARNING

FOR SAFETY, READ AND UNDERSTAND INSTRUCTIONS COMPLETELY BEFORE STARTING INSTALLATION. ELECTRICITY SHOULD BE TURNED OFF AT THE FUSE OR THE CIRCUIT BREAKER BOX BEFORE INSTALLING THE FIXTURE. ALL ELECTRICAL CONNECTIONS MUST BE IN ACCORDANCE WITH ELECTRICAL AND LOCAL ELECTRICAL CODE.

CAUTION

DISCONNECT POWER BEFORE CONNECTING TRIM TO HOUSING, FAIL TO DO SO MAY PERMANENTLY DAMAGE THE LED.

TOOLS REQUIRED

- SAW
- MEASURING TAPE
- ELECTRICAL WIRING (USE AND GAUGE SUITABLE FOR APPLICATION TO CONNECT THE FIXTURES.)

INSTRUCTIONS

1. **RISK OF ELECTRIC SHOCK - TURN OFF POWER BEFORE INSTALLATION OR REMOVAL**
2. Locate a suitable position to place the super thin LED fixture and open a hole in accordance to the cut-hole dimensions (refer to Hole Cut Table for appropriate size).
3. Run the electrical wire from the switch (power supply), through the mounting hole.
4. Open the hardwire box swing cover and remove the appropriate knockouts
5. Insert the electrical supply cable through the knockout.
6. Wire box using supplied quick connect push-in terminals.
 - Connect green ground wire of cable to green wire on box.
 - Connect white wire of cable to white wire on box. (FIG. 1)
 - Connect black wire of cable to black wire on box. (FIG. 1)
7. Place all wiring and connections back into the box and close the cover. Remodel applications: Insert the junction box into ceiling. (FIG. 2)
8. Push spring loaded clips on the fixture upwards and insert base into the mounting hole. Release the clips and fixture will be pulled flush into the ceiling. (FIG. 3)
9. Once assembly is complete, turn on power to confirm fixture is working properly.

WARNING

FOR WET LOCATION INSTALLTION, AFTER FIXTURE IS INSTALLED ON CEILING, PUT SILICONE GLUE TO SEAL THE GAP BETWEEN FIXTURE AND CEILING.

FIG. 1

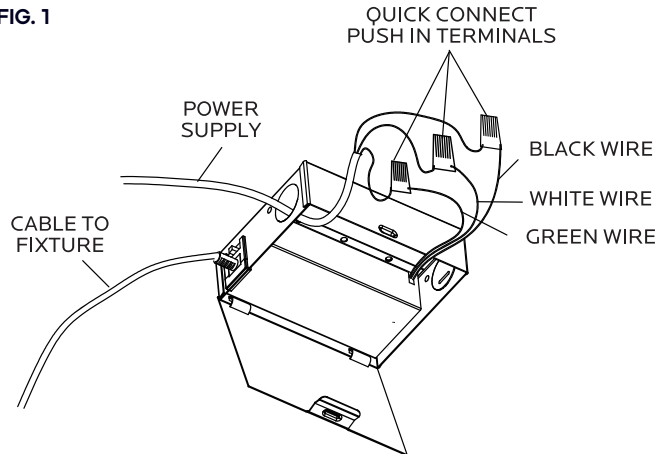


FIG. 2

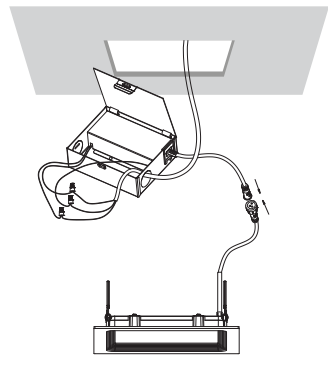


FIG. 3

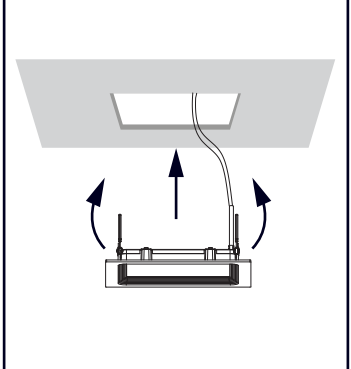
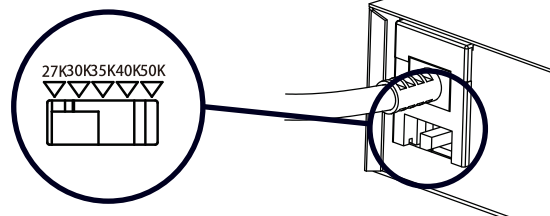


FIG. 4

CCT SWITCH



OPERATING TEMPERATURE:

- -5°F - 105°F
- Suitable for damp location
- Airtight
- Type IC rated for direct contact with insulation