

## LED SPOTLIGHT-CANLESS MINI PANEL-BAFFLED TRIM 3", 4", 6", 8"



5 CCT SWITCH  
ON DRIVER



**CRI  
90**

**COLOR SELECTABLE**

2700K 3000K 3500K 4000K 5000K

**DIMMABLE**

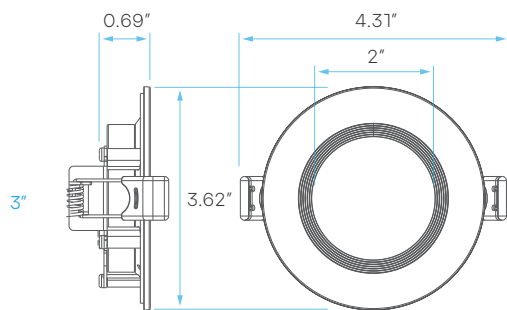
TRIAC

**AIR  
TIGHT**

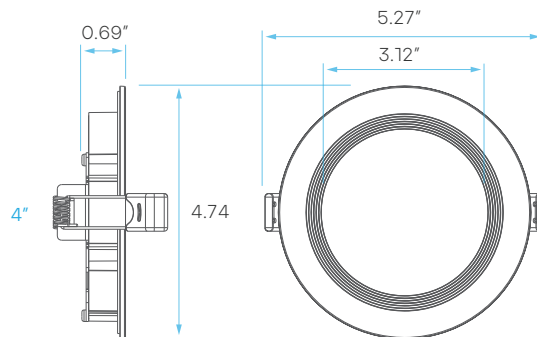
**IC  
RATED**

**WET  
LOCATION  
RATED**

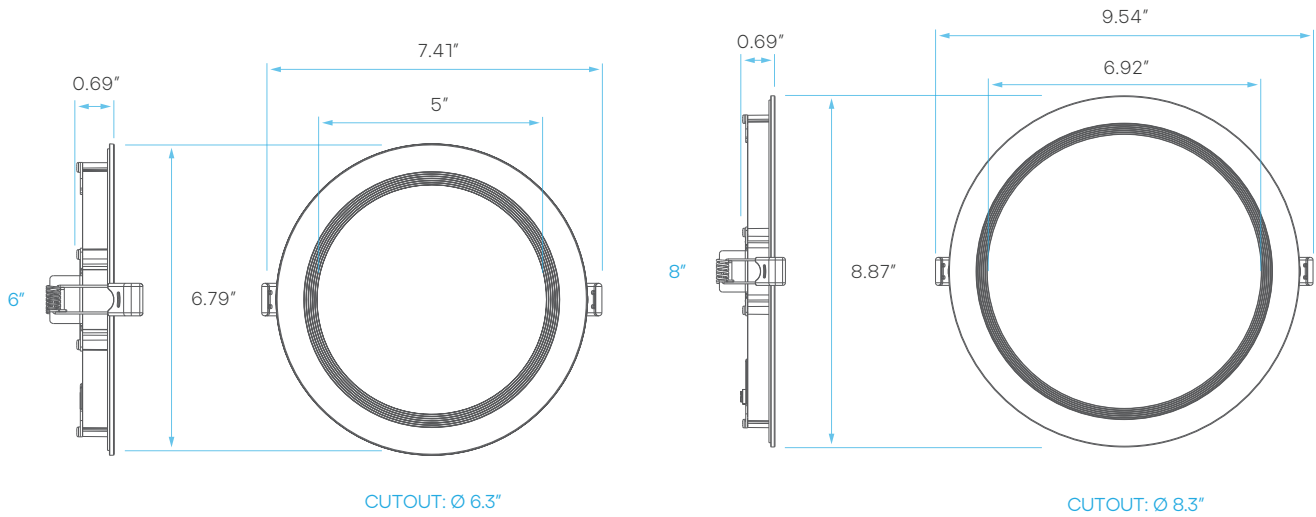
**5  
YEAR  
WARRANTY**



CUTOUT: Ø 3"



CUTOUT: Ø 4.29"



## ELECTRICAL

ROUND	MODEL	DESCRIPTION	POWER	INPUT VOLTS	EFFICACY	LIFETIME	COST/YR
	3"	LR23730	LED/MINI3/PANEL/5CCT/RD/B	6	120V	66	50,000
4"	LR23731	LED/MINI4/PANEL/5CCT/RD/B	10.5	120V	71.4	50,000	\$ 1.26
6"	LR23732	LED/MINI6/PANEL/5CCT/RD/B	14	120V	82	50,000	\$ 1.68
8"	LR23733	LED/MINI8/PANEL/5CCT/RD/B	23	120V	78	50,000	\$ 2.77

## PHOTOMETRIC

MODEL	DESCRIPTION	COLOR (CCT)	TEMP	LUMEN	CRI	UL	TITLE 24	ENERGY STAR	PLATE (KNOCKOUT)
LR23730	LED/MINI3/PANEL/5CCT/RD/B	2700K/3000K/3500K/4000K/5000K	CCT SELECT	400	90	YES	YES	YES	LR41002 (#0)
LR23731	LED/MINI4/PANEL/5CCT/RD/B	2700K/3000K/3500K/4000K/5000K	CCT SELECT	750	90	YES	YES	YES	LR41002 (#1)
LR23732	LED/MINI6/PANEL/5CCT/RD/B	2700K/3000K/3500K/4000K/5000K	CCT SELECT	1150	90	YES	YES	YES	LR41002 (#2)
LR23733	LED/MINI8/PANEL/5CCT/RD/B	2700K/3000K/3500K/4000K/5000K	CCT SELECT	1800	90	YES	YES	YES	

COMPATIBLE WITH:

**LR35126**  
Emergency LED Driver



**LR41002**  
New Construction Mounting Plate

