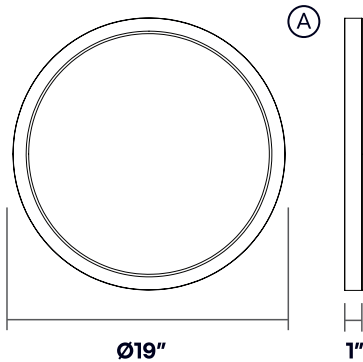
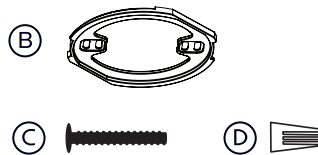


19" SURFACE MOUNT SLIM ROUND - 5CCT SELECTABLE

LR23558



PART	DESCRIPTION	QTY
A	SLIM FLUSH MOUNT FIXTURE	1
B	MOUNTING PLATE	1
C	MOUNTING SCREWS	2
D	WIRE NUTS	3

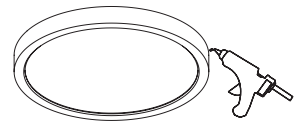


TOOLS AND MATERIALS REQUIRED



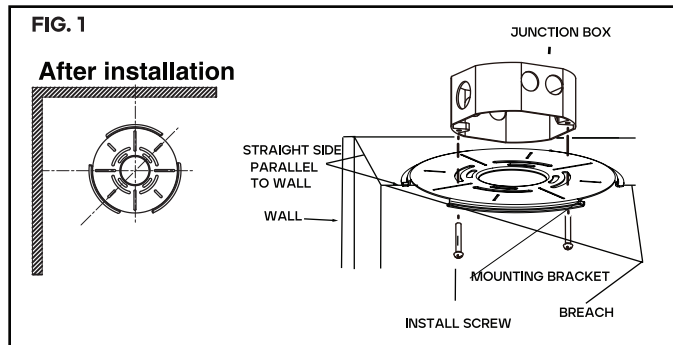
SAFETY RECOMMENDATIONS

1. TURN OFF ELECTRICAL POWER BEFORE STARTING INSTALLATION.
2. THIS PRODUCT MUST BE INSTALLED IN ACCORDANCE WITH THE APPLICABLE INSTALLATION CODE BY A PERSON FAMILIAR WITH THE CONSTRUCTION AND OPERATION OF THE PRODUCT AND THE HAZARDS INVOLVED.
3. CAUTION: RISK OF FIRE. CONSULT A QUALIFIED ELECTRICIAN TO ENSURE CORRECT BRANCH CIRCUIT CONDUCTOR.
4. FOR EXTERNAL USE ONLY: IT IS RECOMMENDED TO APPLY WATERPROOF SILICONE TO SEAL AROUND TRIM AND CEILING.

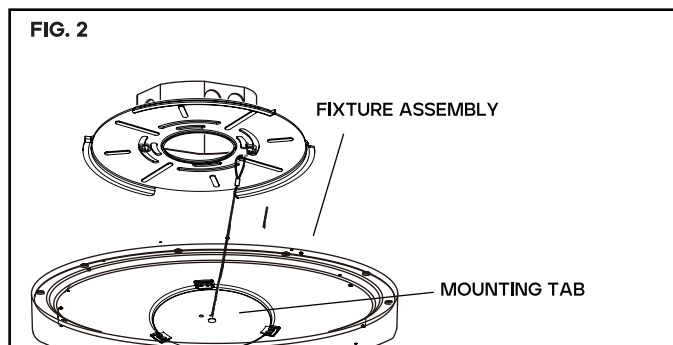


FLUSH MOUNT

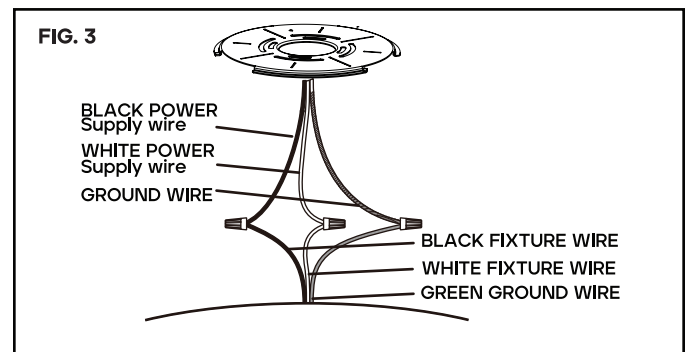
1. Hold Mounting Bracket up to junction box with flange facing down. Align breach side of the mounting bracket parallel to nearest wall. Screw mounting bracket to j-box. (See Fig. 1)



2. Before working wire connections, attach to hook side of safety cable on Mounting plate. (See Fig. 2)



3. With the power TURNED OFF, connect the green ground from the fixture to the bare copper groundwire from the junction box using a wirenut (if house wiring does not include a ground wire, consult with your local electrical code for approved grounding methods). Use wirenuts to connect black fixture wire to the black power supply wire and white fixture wire to the white power supply wire. (See Fig. 3)



4. Attach provided to indents (opening) of the mounting bracket and align mounting tabs on back of the fixture with indents in the mounting bracket. Using sticker on the fixture (reference pointing for mounting tab) and on the ceiling as reference point, lift fixture up to the ceiling and rotate clockwise until fixture is secured (45 degree turn until it locks). (See Fig. 4)

