

LED SURFACE MOUNT SLIM SERIES - 5 CCT SELECTABLE 4", 5", 6", 7", 9", 12", 15" - ROUND & SQUARE



4"

6"

9"

COMPATIBLE WITH

4-5" CAN ADAPTER
LR23640

6-7" CAN ADAPTER
LR23645



5"

7"

9"

12"

15"

COMPATIBLE WITH
EM BATTERY BACKUP
LR23646

CRI
80

COLOR SELECTABLE

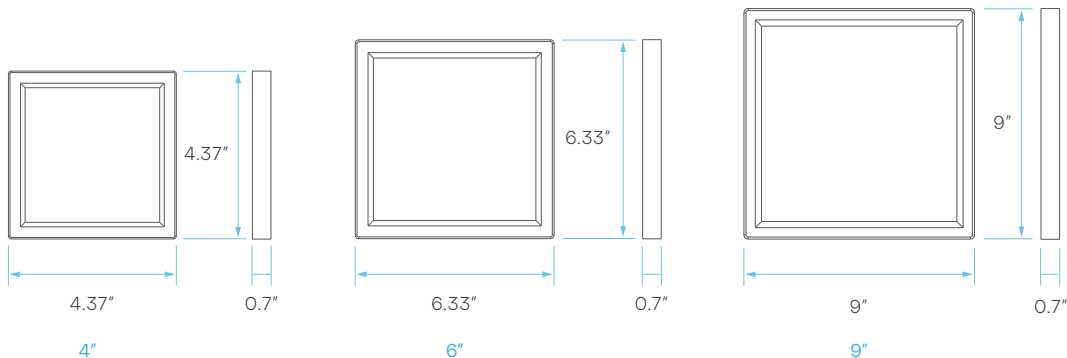
2700K 3000K 3500K 4000K 5000K

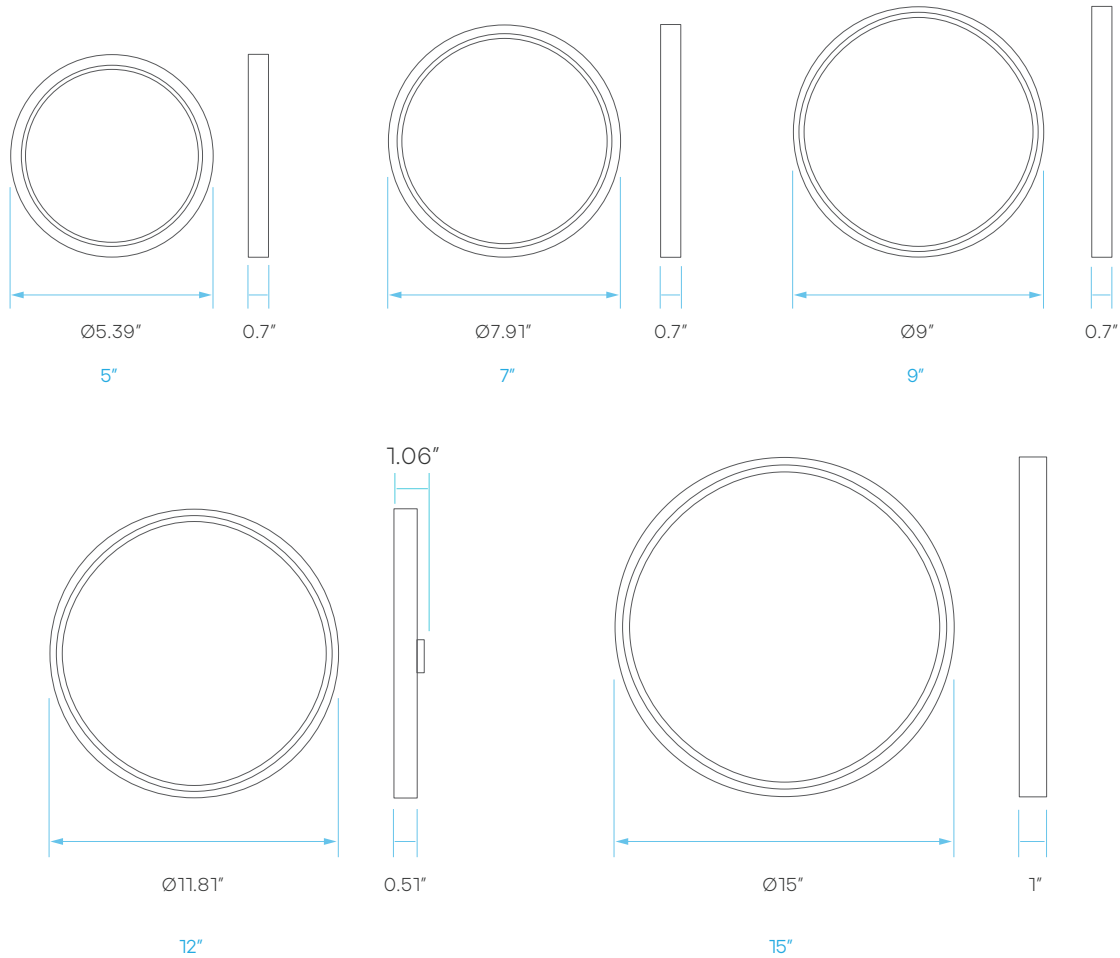
DIMMABLE

TRIAC

WET
LOCATION
RATED

3
YEAR
WARRANTY





ELECTRICAL

		MODEL	DESCRIPTION	POWER	INPUT VOLTS	EFFICACY	LIFETIME	COST/YR
4"	SQ	LR23551	LED10/SLIM4/5CCT/W/SQ	10	120V	60	50,000	\$ 1.20
5"	RD	LR23550	LED10/SLIM5/5CCT/W/RD	10	120V	60	50,000	\$ 1.20
6"	SQ	LR23553	LED15/SLIM6/5CCT/W/SQ	15	120V	63	50,000	\$ 1.81
7"	RD	LR23552	LED15/SLIM7/5CCT/W/RD	15	120V	67	50,000	\$ 1.81
9"	SQ	LR23555	LED18/SLIM9/5CCT/W/SQ	18	120V	67	50,000	\$ 2.17
	RD	LR23554	LED18/SLIM9/5CCT/W/RD	18	120V	67	50,000	\$ 2.17
12"	RD	LR23556	LED22/SLIM12/5CCT/W/RD	22	120V	80	50,000	\$ 2.64
15"	RD	LR23557	LED30/SLIM15/5CCT/W/RD	30	120V	80	50,000	\$ 3.61

PHOTOMETRIC

MODEL	DESCRIPTION	COLOR (CCT)	TEMP	LUMEN	FLOOD	CRI	ETL	ENERGY STAR
LR23551	LED10/SLIM4/5CCT/W/SQ	2700K/3000K/3500K/4000K/5000K	CCT SELECT	600	90°	80	YES	YES
LR23550	LED10/SLIM5/5CCT/W/RD	2700K/3000K/3500K/4000K/5000K	CCT SELECT	600	90°	80	YES	YES
LR23553	LED15/SLIM6/5CCT/W/SQ	2700K/3000K/3500K/4000K/5000K	CCT SELECT	900	90°	80	YES	YES
LR23552	LED15/SLIM7/5CCT/W/RD	2700K/3000K/3500K/4000K/5000K	CCT SELECT	900	90°	80	YES	YES
LR23555	LED18/SLIM9/5CCT/W/SQ	2700K/3000K/3500K/4000K/5000K	CCT SELECT	1200	90°	80	YES	YES
LR2355	LED18/SLIM9/5CCT/W/RD	2700K/3000K/3500K/4000K/5000K	CCT SELECT	1200	90°	80	YES	YES
LR23556	LED22/SLIM12/5CCT/W/RD	2700K/3000K/3500K/4000K/5000K	CCT SELECT	1800	90°	80	YES	YES
LR23557	LED30/SLIM15/5CCT/W/RD	2700K/3000K/3500K/4000K/5000K	CCT SELECT	2000	120°	80	YES	YES

CAN ADAPTER

*SOLD SEPARATELY

4-5" CAN ADAPTER

*SOLD SEPARATELY



6-7" CAN ADAPTER

*SOLD SEPARATELY

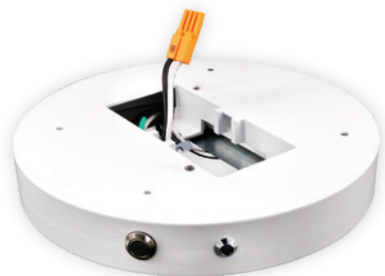


MODEL	DESCRIPTION	SIZE
LR23640	LED/SLIM4-5/CAN-ADAPTER	4-5"

MODEL	DESCRIPTION	SIZE
LR23645	LED/SLIM6-7/CAN-ADAPTER	6-7"

EMERGENCY BATTERY BACKUP

7" SLIM BRACKET



LR23646
*SOLD SEPARATELY



LR23646B
*SOLD SEPARATELY

MODEL	DESCRIPTION	POWER
LR23646	LED15/SLIM7/RD/EMPK	15

MODEL	DESCRIPTION
LR23646B	LED15/SLIM7/RD/EMPK/EMPTY

TRIM REPLACEMENT



AVAILABLE IN 5", 7", 9"

AVAILABLE IN 4", 6", 9"

		MODEL	DESCRIPTION	FINISH
SQ	4"	LR23677	LED10/SLIM4/SQ/TRIM/BK	BLACK
		LR23679	LED10/SLIM4/SQ/TRIM/BN	BRUSHED NICKEL
	6"	LR23683	LED15/SLIM6/SQ/TRIM/BK	BLACK
		LR23685	LED15/SLIM6/SQ/TRIM/BN	BRUSHED NICKEL
	8"	LR23689	LED18/SLIM9/SQ/TRIM/BK	BLACK
		LR23691	LED18/SLIM9/SQ/TRIM/BN	BRUSHED NICKEL
RD	5"	LR23674	LED10/SLIM5/RD/TRIM/BK	BLACK
		LR23676	LED10/SLIM5/RD/TRIM/BN	BRUSHED NICKEL
	7"	LR23680	LED15/SLIM7/RD/TRIM/BK	BLACK
		LR23682	LED15/SLIM7/RD/TRIM/BN	BRUSHED NICKEL
	9"	LR23686	LED18/SLIM9/RD/TRIM/BK	BLACK
		LR23688	LED18/SLIM9/RD/TRIM/BN	BRUSHED NICKEL