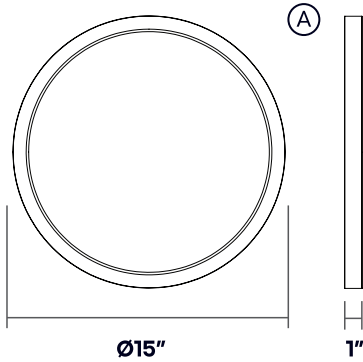
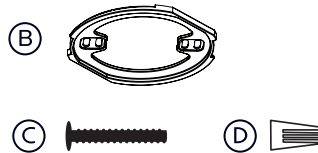


15" SURFACE MOUNT SLIM ROUND - 5CCT SELECTABLE LR23557



PART	DESCRIPTION	QTY
A	SLIM FLUSH MOUNT FIXTURE	1
B	MOUNTING PLATE	1
C	MOUNTING SCREWS	2
D	WIRE NUTS	3

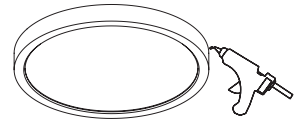


TOOLS AND MATERIALS REQUIRED



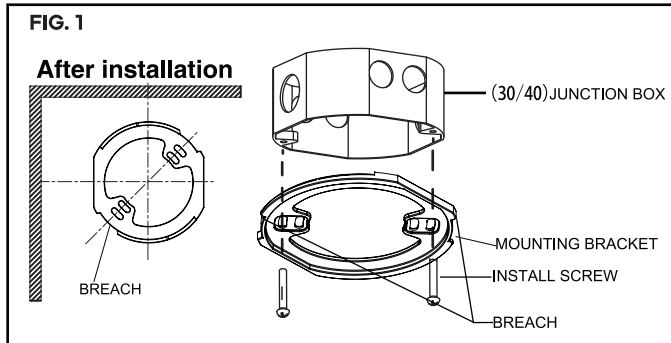
SAFETY RECOMMENDATIONS

1. TURN OFF ELECTRICAL POWER BEFORE STARTING INSTALLATION.
2. THIS PRODUCT MUST BE INSTALLED IN ACCORDANCE WITH THE APPLICABLE INSTALLATION CODE BY A PERSON FAMILIAR WITH THE CONSTRUCTION AND OPERATION OF THE PRODUCT AND THE HAZARDS INVOLVED.
3. CAUTION: RISK OF FIRE. CONSULT A QUALIFIED ELECTRICIAN TO ENSURE CORRECT BRANCH CIRCUIT CONDUCTOR.
4. FOR EXTERNAL USE ONLY: IT IS RECOMMENDED TO APPLY WATERPROOF SILICONE TO SEAL AROUND TRIM AND CEILING.

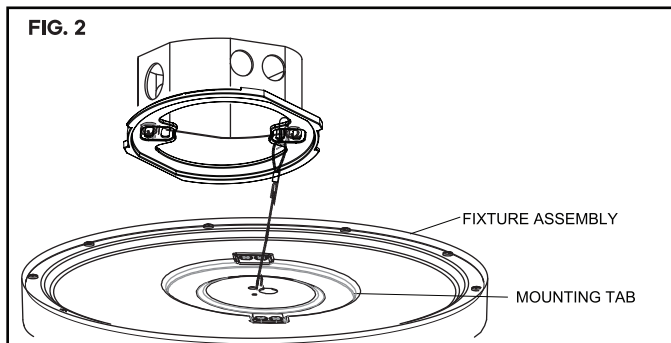


FLUSH MOUNT

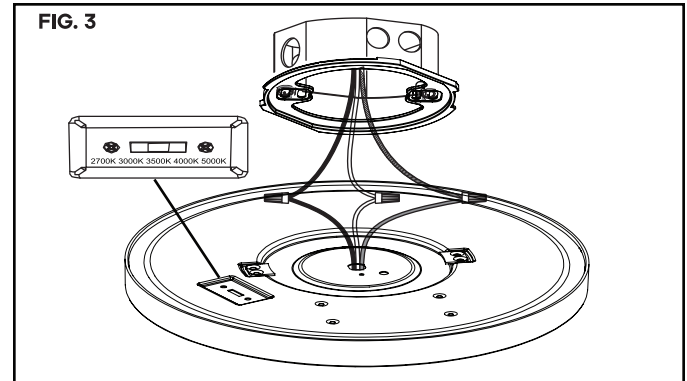
1. Hold Mounting Bracket up to junction box with flange facing down. Align breach side of the mounting bracket parallel to nearest wall. Screw mounting bracket to j-box. (See Fig. 1)



2. Before working wire connections, attach to hook side of safety cable on Mounting plate. (See Fig. 2)



3. Select CCT on the switch. Make wire connections: connect the house ground wire to the fixture ground wire; connect the white supply wire to the white fixture wire; connect the black supply wire to the black fixture wire by using the wire connectors. Carefully tuck all wires back into the junction box (1). (See Fig. 3)



4. Attach provided to indents (opening) of the mounting bracket and align mounting tabs on back of the fixture with indents in the mounting bracket. Using sticker on the fixture (reference point for mounting tab) and on the ceiling as reference point, lift fixture up to the ceiling and rotate clockwise until fixture is secured (45 degree turn until it locks). (See Fig. 4)

