

5", 6" LED SLIM - 5 CCT SELECTABLE LR23520, LR23521, LR23523, LR23524

CAUTION

1. FOR YOUR SAFETY READ AND UNDERSTAND INSTRUCTIONS COMPLETELY BEFORE STARTING INSTALLATION.
2. THESE LUMINAIRES (FIXTURES) ARE DESIGNED TO MEET THE LATEST NEC REQUIREMENTS AND ARE LISTED IN FULL COMPLIANCE WITH UL 1598.
3. BEFORE ATTEMPTING INSTALLATION, CHECK YOUR LOCAL ELECTRICAL CODE, AS IT SETS THE WIRING STANDARDS FOR YOUR LOCALITY.

WARNING - RISK OF FIRE OR ELECTRIC SHOCK

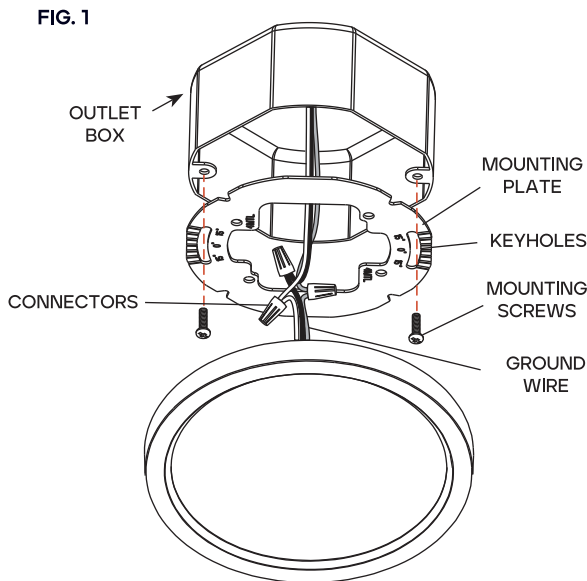
1. Installation of this retrofit assembly requires a person familiar with the construction and operation of the luminaire's electrical system and the hazards involved. If no qualified, do not attempt installation. Contact a qualified electrician.
2. Install this kit only in luminaires that have the construction features and dimensions described in these instructions, and where the input rating of the retrofit kit does not exceed the input rating of the luminaire.
3. LED Retrofit Kit installation requires knowledge of luminaires electrical systems. If not qualified, do not attempt installation. Contact a qualified electrician.

- **WARNING** - To prevent wiring damage or abrasion, do not expose wiring to edges of sheet or other sharp objects.
- **DO NOT** make or alter any open holes in an enclosure of wiring or electrical components during kit installation.
- This device is not intended for use with emergency exits or not for emergency lighting.

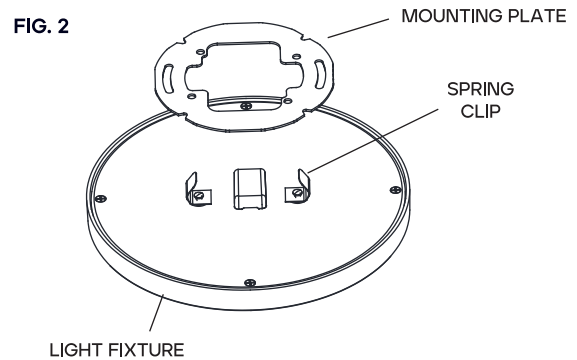
THE RETROFIT KIT IS ACCEPTED AS A COMPONENT OF A LUMINAIRE WHERE THE SUITABILITY OF THE COMBINATION SHALL BE DETERMINED BY CSA OR AUTHORITIES HAVING JURISDICTION.

INSTALLATION ONTO OUTLET BOX

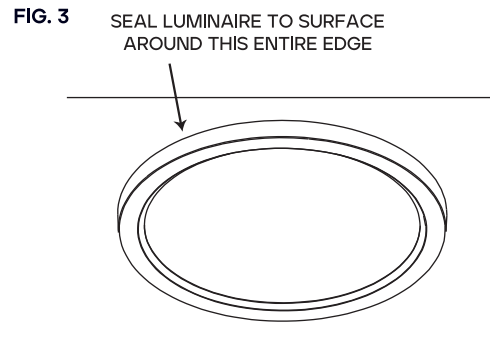
1. Attach mounting plate to the outlet box by fastening supplied 1 1/2" outlet box screws through mounting plate keyholes. (FIG. 1)



2. Align spring clips on the disk light to the hinge on the mounting plate. tuck all wires into the outlet box and push up to lock fixture in place. (FIG. 2)



3. Make sure the light fixture is flush with the ceiling. (FIG. 3)

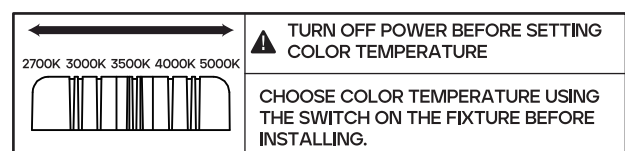


ELECTRICAL CONNECTION

1. Provide electrical service according to the "National Electrical Code" or your local electrical code to the outlet box.
2. Connect supply wires to fixture wires and insulate with proper size wire nuts (FIG. 1)
 - a) Connect incoming ground wire (green or bare) to fixture ground wire (green or bare).
 - b) Connect incoming common (white) wire to fixture common (white).
 - c) Connect incoming hot (typically black) wire to fixture black wire.

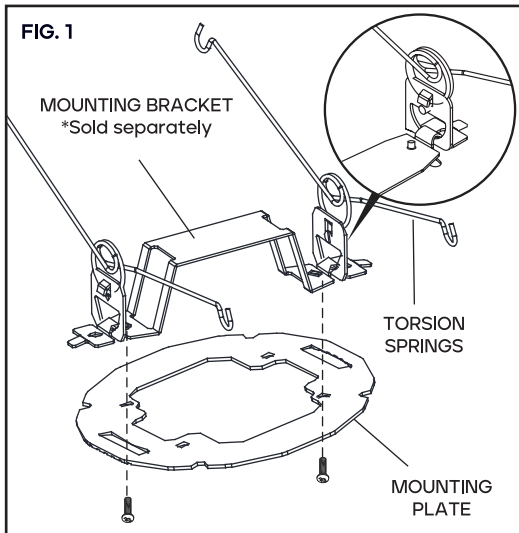
NOTE: FOR WET LOCATIONS, FILL THE GAP BETWEEN THE LUMINAIRE AND THE CEILING WITH WATERPROOF GLUE AFTER INSTALLATION IS COMPLETED. (FIG. 3)

CCT SELECTABLE SWITCH

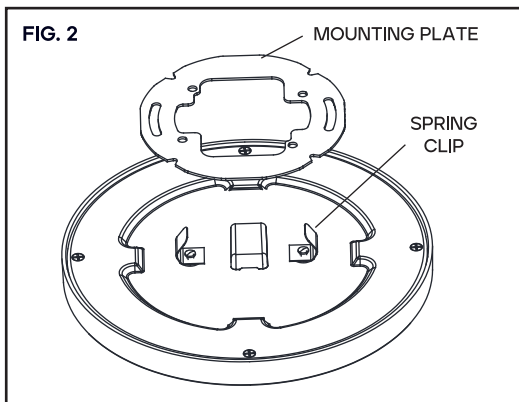


INSTALLATION INTO RECESSED HOUSING

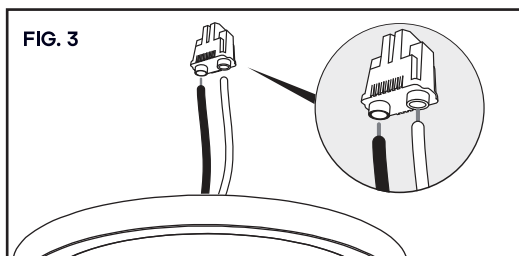
1. The sockets may need to be detached from the plate/bracket, and the plate/bracket may need to be removed from the housing prior to installation of the trim.
2. Insert torsion springs on to the mounting bracket. Make sure that the tab on the clips is positioned inwards.
3. Attach mounting bracket to mounting plate keyholes with supplied 1/4" screws. (FIG. 1)



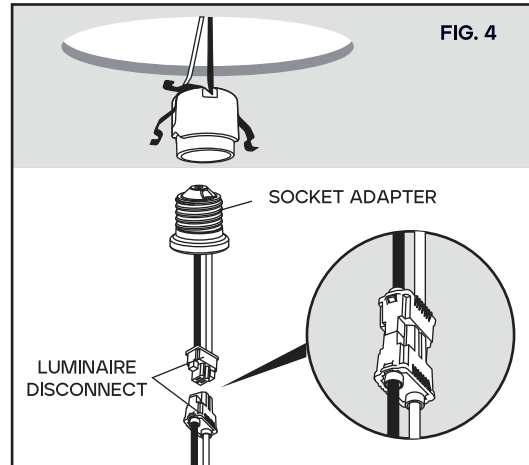
4. Align spring clips on the light fixture to hinge on the mounting plate. (FIG. 2)



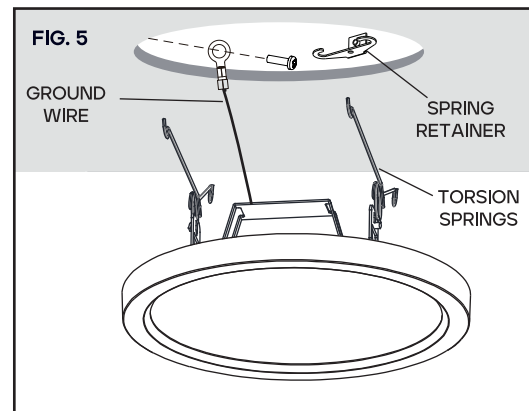
5. Detach the 2 halves of the luminaire disconnect, insert black and white wires of fixture into non-wired half of luminaire disconnect following color code marked on connector. (FIG. 3)



6. Screw the socket adapter to socket in housing. (FIG. 4)
7. Plug the female connector of the light fixture onto the male connector of the socket adapter assembly. (FIG. 4)



8. Install torsion spring of light fixture to the spring retainer inside the housing.
9. Tuck all wires into the housing and carefully push the light fixture into the housing.



GROUND WIRE INSTALLATION

1. Recessed housing with grounding wire:
 - a. Cut off the grounding wire eyelet from the LED retrofit kit (if provided)
 - b. Pair the LED retrofit kit's grounding wire with the grounding wire from the recessed housing and secure with a wire nut.
2. Recessed housing without grounding wire (FIG. 5)
 1. Install the eyelet through an 8-18 or equivalent self-tapping screw and secure into the housing wall.