

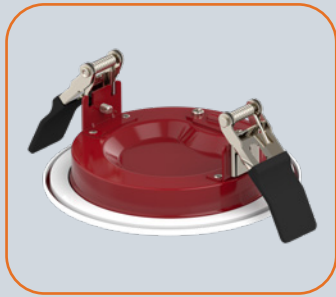
## LED SPOTLIGHT-CANLESS FIRE RATED RECESSED MINI PANEL - CCT SELECT 4", 6" - BAFFLED TRIM



# LUXSAFE

BY LUXRITE®

**2 HOUR FIRE RATING**  
TESTED TO COMPLY WITH UL 263  
ASTM E119 & CAN ULC S101



2 HOUR FIRE RATED REINFORCED  
& HEAT RESISTANT STEEL CASING



4" | 10W | 800 LUMENS



6" | 13W | 1050 LUMENS

CRI  
90

COLOR SELECTABLE

2700K | 3000K | 3500K | 4000K | 5000K

2 HOUR  
FIRE RATED

AIR  
TIGHT

IC  
RATED

DIMMABLE  
TRIAC

120V

WET  
LOCATION  
RATED

5  
YEAR  
WARRANTY

### ELECTRICAL

	MODEL	DESCRIPTION	POWER	INPUT VOLTS	EFFICACY	LIFETIME	COST/YR	FIRE RATING
4"	LR23491	LED/MINI4/FIRE/5CCT/RD/WT/B	10	120V	80	50,000	\$ 1.20	2 HOUR
6"	LR23493	LED/MINI6/FIRE/5CCT/RD/WT/B	13	120V	80	50,000	\$ 1.56	2 HOUR

## PHOTOMETRIC

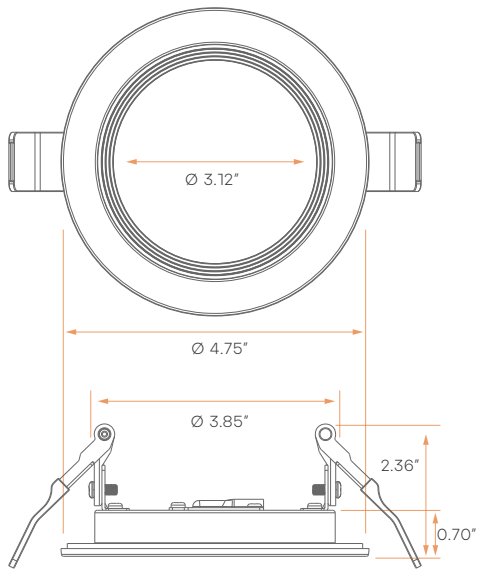
MODEL	DESCRIPTION	COLOR (CCT)	TEMP	LUMEN	CRI	ENERGY STAR	UL	UL263 COMPLIANT	ASTM E119	CAN ULC S101
LR23491	LED/MINI4/FIRE/5CCT/RD/WT/B	2700K	CCT SELECT	800	90	YES	YES	YES	YES	YES
		3000K								
		3500K								
		4000K								
		5000K								
LR23493	LED/MINI6/FIRE/5CCT/RD/WT/B	2700K	CCT SELECT	1050	90	YES	YES	YES	YES	YES
		3000K								
		3500K								
		4000K								
		5000K								

COMPATIBLE WITH:

**LR35126**  
Emergency LED Driver

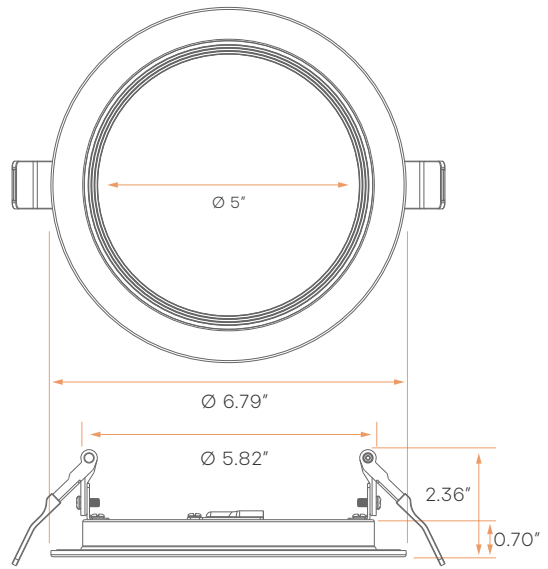


## DIMENSIONS



4"

CUTOUT: Ø 3.89"



6"

CUTOUT: Ø 5.86"