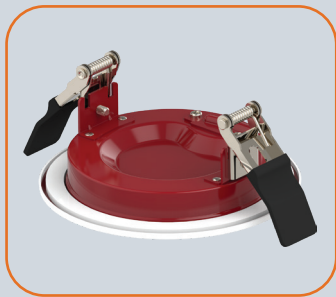


LED SPOTLIGHT-CANLESS FIRE RATED RECESSED MINI PANEL - CCT SELECT 3", 4", 6" - BAFFLED TRIM



LUXSAFE
BY **LUXRITE®**

2 HOUR FIRE RATING
TESTED TO COMPLY WITH UL 263
ASTM E119 & CAN ULC S101



2 HOUR FIRE RATED REINFORCED
& HEAT RESISTANT STEEL CASING



3" | 6.5W | 550 LUMENS



4" | 10W | 800 LUMENS



6" | 13W | 1050 LUMENS

CRI 90

COLOR SELECTABLE

2700K | 3000K | 3500K | 4000K | 5000K

**2 HOUR
FIRE RATED**

**AIR
TIGHT**

**IC
RATED**

**DIMMABLE
TRIAC**

120V

**WET
LOCATION
RATED**

**5
YEAR
WARRANTY**

ELECTRICAL

	MODEL	DESCRIPTION	POWER	INPUT VOLTS	EFFICACY	LIFETIME	COST/YR	FIRE RATING
3"	LR23490	LED/MINI3/FIRE/5CCT/RD/WT/B	6.5	120V	85	50,000	\$ 0.78	2 HOUR
4"	LR23491	LED/MINI4/FIRE/5CCT/RD/WT/B	10	120V	80	50,000	\$ 1.20	2 HOUR
6"	LR23493	LED/MINI6/FIRE/5CCT/RD/WT/B	13	120V	80	50,000	\$ 1.56	2 HOUR

PHOTOMETRIC

MODEL	DESCRIPTION	COLOR (CCT)	TEMP	LUMEN	CRI	ENERGY STAR	UL	UL263 COMPLIANT	ASTM E119	CAN ULC S101	PLATE (KNOCKOUT)
LR23490	LED/MINI3/FIRE/5CCT/RD/WT/B	2700K	CCT SELECT	550	90		YES	YES	YES	YES	LR41002 (#0) LR41006 (#1) LR41010 (R0)
		3000K									
		3500K									
		4000K									
		5000K									
LR23491	LED/MINI4/FIRE/5CCT/RD/WT/B	2700K	CCT SELECT	800	90	YES	YES	YES	YES	YES	LR41002 (#1) LR41006 (#3) LR41010 (R1)
		3000K									
		3500K									
LR23493	LED/MINI6/FIRE/5CCT/RD/WT/B	2700K	CCT SELECT	1050	90	YES	YES	YES	YES	YES	LR41002 (#2) LR41006 (#5) LR41010 (R3)
		3000K									
		3500K									
		4000K									
		5000K									

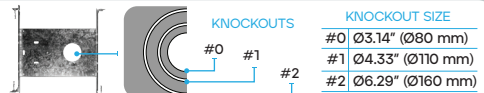
COMPATIBILITY

COMPATIBLE WITH:

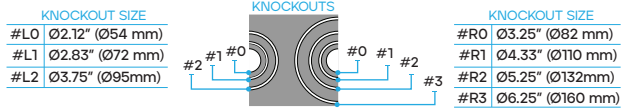
LR35126
Emergency LED Driver



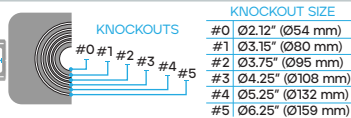
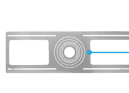
LR41002
New Construction Mounting Plate



LR41010
New Construction Mounting Plate

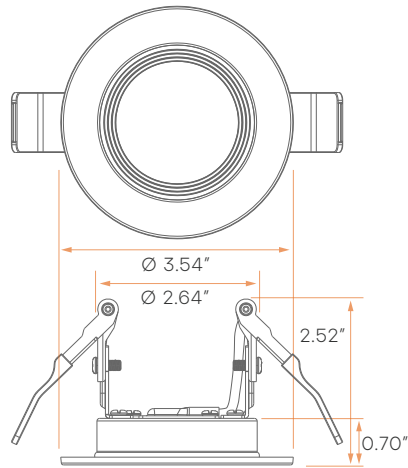


LR41006
New Construction Mounting Plate

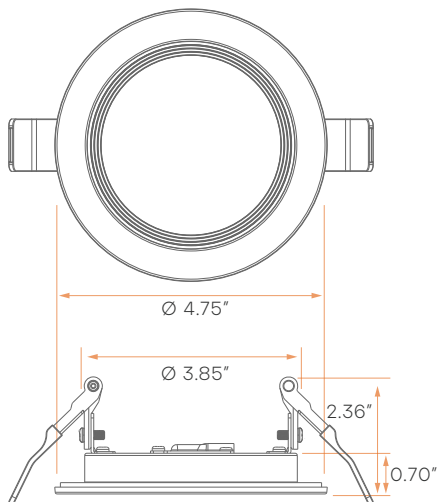


DIMENSIONS

3"
CUTOUT: Ø 3"



4"
CUTOUT: Ø 3.89"



6"
CUTOUT: Ø 5.86"

