

LED SPOTLIGHT-CANLESS FIRE RATED RECESSED MINI PANEL - CCT SELECT 3", 4", 6"



LUXSAFE

BY LUXRITE®

2 HOUR FIRE RATING
TESTED TO COMPLY WITH UL 263
ASTM E119 & CAN ULC S101



2 HOUR FIRE RATED REINFORCED
& HEAT RESISTANT STEEL CASING



3" 8W 500 LUMENS



4" 12W 800 LUMENS



6" 15W 1100 LUMENS

CRI
90

COLOR SELECTABLE

2700K 3000K 3500K 4000K 5000K

2 HOUR
FIRE RATED

AIR
TIGHT

IC
RATED

DIMMABLE
TRIAC

120V

WET
LOCATION
RATED

5
YEAR
WARRANTY

ELECTRICAL

	MODEL	DESCRIPTION	POWER	INPUT VOLTS	EFFICACY	LIFETIME	COST/YR	FIRE RATING
3"	LR23478	LED/MINI3/FIRE/5CCT/RD/WT	8	120V	69	50,000	\$ 0.96	2 HOUR
4"	LR23480	LED/MINI4/FIRE/5CCT/RD/WT	12	120V	67	50,000	\$ 1.44	2 HOUR
6"	LR23485	LED/MINI6/FIRE/5CCT/RD/WT	15	120V	75	50,000	\$ 1.80	2 HOUR

PHOTOMETRIC

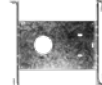
MODEL	DESCRIPTION	COLOR (CCT)	TEMP	LUMEN	CRI	ENERGY STAR	ETL	UL263 COMPLIANT	ASTM E119	CAN ULC S101
LR23478	LED/MINI3/FIRE/5CCT/RD/WT	2700K	CCT SELECT	500	90	YES	YES	YES	YES	YES
		3000K								
		3500K								
		4000K								
		5000K								
LR23480	LED/MINI4/FIRE/5CCT/RD/WT	2700K	CCT SELECT	800	90	YES	YES	YES	YES	YES
		3000K								
		3500K								
		4000K								
		5000K								
LR23485	LED/MINI6/FIRE/5CCT/RD/WT	2700K	CCT SELECT	1100	90	YES		YES	YES	YES
		3000K								
		3500K								
		4000K								
		5000K								

COMPATIBLE WITH:

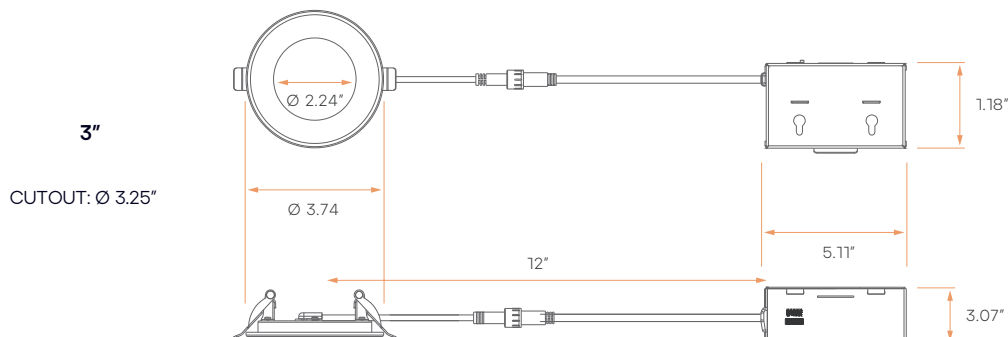
LR35126
Emergency LED Driver



LR41002
New Construction Mounting Plate



DIMENSIONS



DIMENSIONS

