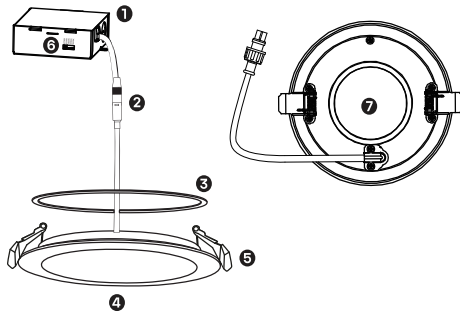


3", 4", 6" 2HR FIRE RATED RECESSED MINI PANEL - 3CCT SELECTABLE LR23478, LR23480, LR23485



PARTS

- ❶ JUNCTION BOX
- ❷ CONNECTOR
- ❸ FOAM GASKET (FOR AIRTIGHT INSTALLATION)
- ❹ LIGHT PANEL
- ❺ SPRING CLIPS
- ❻ CCT SWITCH
- ❼ FIRE-BLOCK STEEL PLATE

⚠ WARNING

TURN THE POWER OFF FROM ELECTRICAL PANEL BEFORE INSTALLATION OR MAINTENANCE. READ ALL INSTRUCTIONS TO ENSURE A SAFETY AND PROPER INSTALLATION.



- THIS SERIES HAS BEEN TESTED TO COMPLY WITH: UL 263
- THIS SERIES HAS BEEN TESTED AND APPROVED FOR 2-HOUR FIRE RATING

FIXTURE INSTALLATION:

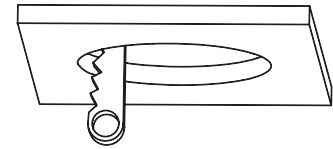
1. Turn power OFF from the electrical panel prior to installation.
2. Determine the location for installation and cut the ceiling hole in accordance with cut-hole dimensions. Refer to CUTOUT size. (Fig. 1)
3. Open the junction box cover and remove the appropriate knockout(s) on the side panel (Fig. 2)
4. Insert the electrical supply cable through the knockout and secure with a cable connector (sold separately).
5. Using quick-connect push-in terminals, connect the ground wire to the green wire terminal; black wire to black wire terminal; white wire to white wire terminal. (Fig. 2)
6. Place all wiring and connections back into the box and close the cover. Connect the driver to the light panel.
7. Insert Junction box through the mounting hole. (Fig. 3)
8. Using the CCT Switch slide to select your desired CCT (Fig. 4) before step 9.
9. Push spring-loaded clips on the fixture upwards and insert fixture base into the mounting hole. Release the clips and fixture will be pulled flush to the ceiling. (Fig. 5) The spring loaded clips are designed for use in a double layered 5/8" gypsum ceiling.
10. For airtight requirements, make sure the foam gasket stays between fixture and ceiling. (Do not remove)

- DO NOT MODIFY THIS FIXTURE. ANY MODIFICATIONS MAY RENDER THE PRODUCT UNSAFE AND VOID WARRANTY.
- THIS PRODUCT IS SUITABLE FOR WET LOCATIONS

LIMITED WARRANTY

The warranty applies to the product from the original date of purchase for five (5) years against manufacturing defects. The owner must provide a copy of the original proof of purchase. The manufacturer's obligation under this warranty is limited to repairing or replacing the component. It is not related in any way to the cost of the connection, the installation of the replacement parts or cost of transport.

FIG. 1



3" CUTOUT DIAMETER: Ø3.25"
4" CUTOUT DIAMETER: Ø4.25"
6" CUTOUT DIAMETER: Ø6.22"

FIG. 2

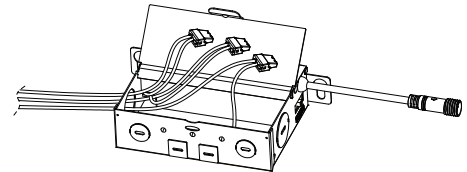


FIG. 3

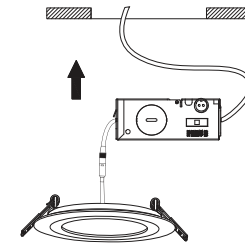
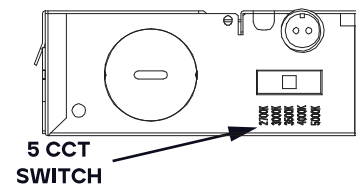


FIG. 4



5 CCT SWITCH

FIG. 5

